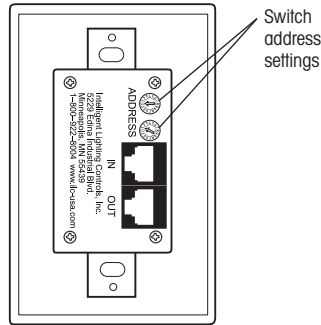
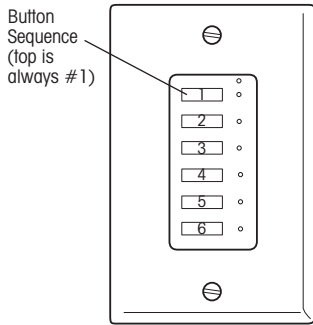


LightSync G2 Data Line Switch Face Plate Engraving Order Form

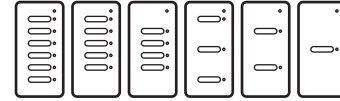
Fill in desired switch attributes and the engraving information for each switch.

NOTE: G2 switches must stay with the same button configuration as shipped from the factory.

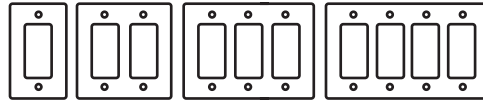
DATE: _____ SUBMITTED BY: _____ APPROVED BY: _____
 COMPANY: _____ PHONE#: _____ EMAIL: _____
 JOB NAME: _____ GO#: _____ PO#: _____



LightSync G2 Switch button positions



LightSync G2 Switch plates 1-4 gang



Check the boxes as required. NOTE: Select the required number of gangs for the location mounted. Example: If you select a 2-gang plate, click the box next to the first switch, do not check the cover plate box for the second switch.

SWITCH QUANTITY	COLOR (✓ONE)	BUTTON(S) (✓ONE)	ENGRAVING (10 CHAR. MAX.)	COVER PLATE QUANTITY	COVER PLATE GANGS (✓ONE)
	WHITE	1	1		1
	IVORY	2	2		2
		3	3		3
		4	4		4
		5	5		
		6	6		

SWITCH QUANTITY	COLOR (✓ONE)	BUTTON(S) (✓ONE)	ENGRAVING (10 CHAR. MAX.)	COVER PLATE QUANTITY	COVER PLATE GANGS (✓ONE)
	WHITE	1	1		1
	IVORY	2	2		2
		3	3		3
		4	4		4
		5	5		
		6	6		

SWITCH QUANTITY	COLOR (✓ONE)	BUTTON(S) (✓ONE)	ENGRAVING (10 CHAR. MAX.)	COVER PLATE QUANTITY	COVER PLATE GANGS (✓ONE)
	WHITE	1	1		1
	IVORY	2	2		2
		3	3		3
		4	4		4
		5	5		
		6	6		

SWITCH QUANTITY	COLOR (✓ONE)	BUTTON(S) (✓ONE)	ENGRAVING (10 CHAR. MAX.)	COVER PLATE QUANTITY	COVER PLATE GANGS (✓ONE)
	WHITE	1	1		1
	IVORY	2	2		2
		3	3		3
		4	4		4
		5	5		
		6	6		

SWITCH QUANTITY	COLOR (✓ONE)	BUTTON(S) (✓ONE)	ENGRAVING (10 CHAR. MAX.)	COVER PLATE QUANTITY	COVER PLATE GANGS (✓ONE)
	WHITE	1	1		1
	IVORY	2	2		2
		3	3		3
		4	4		4
		5	5		
		6	6		