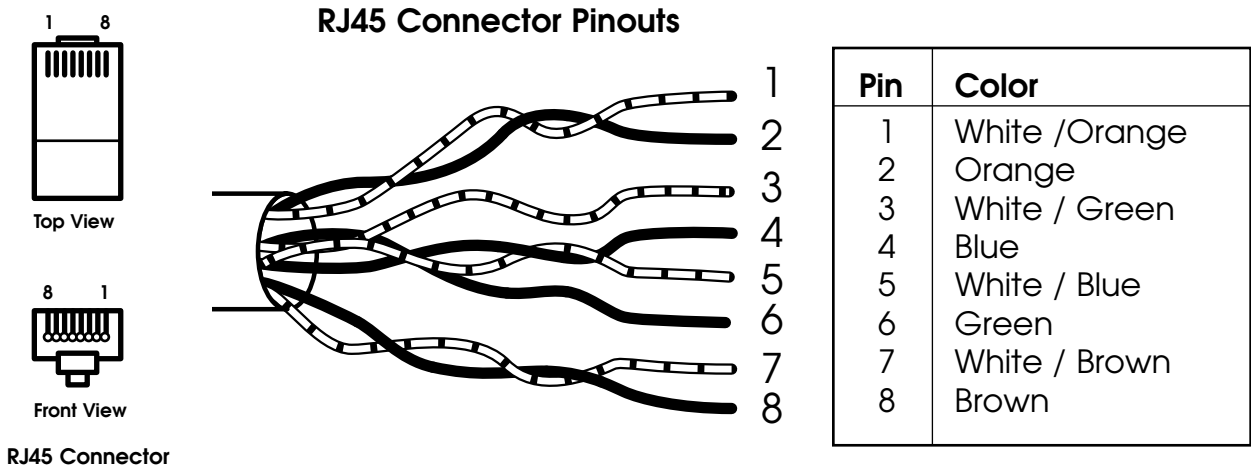


Field RJ45 Connector Termination Detail

Termination instructions for RJ45 connector to CAT5 (or CAT5e) cable.

1. Strip cable jacket back about 2" from the end of the cable.
2. Sort the pairs so they fit into the connector in the following order.



3. Insert the pairs thru the connector.
4. Crimp the pins with a crimp tool.
5. Repeat for other end and test cable for wiring faults with a cable tester.

NOTE: DO NOT UNTWIST ANY PAIR MORE THAN ½ INCH

To purchase industry standard CAT5 RJ45 Connectors, Crimp Tools, and Testers contact your local Electrical Distributor or ILC at 800 922-8004.

RJ45 Crimping Tool: ILC Part No. (1 ea): 93000801
Cat-5 Connectors: ILC Part No. (10/pk): 56801415

