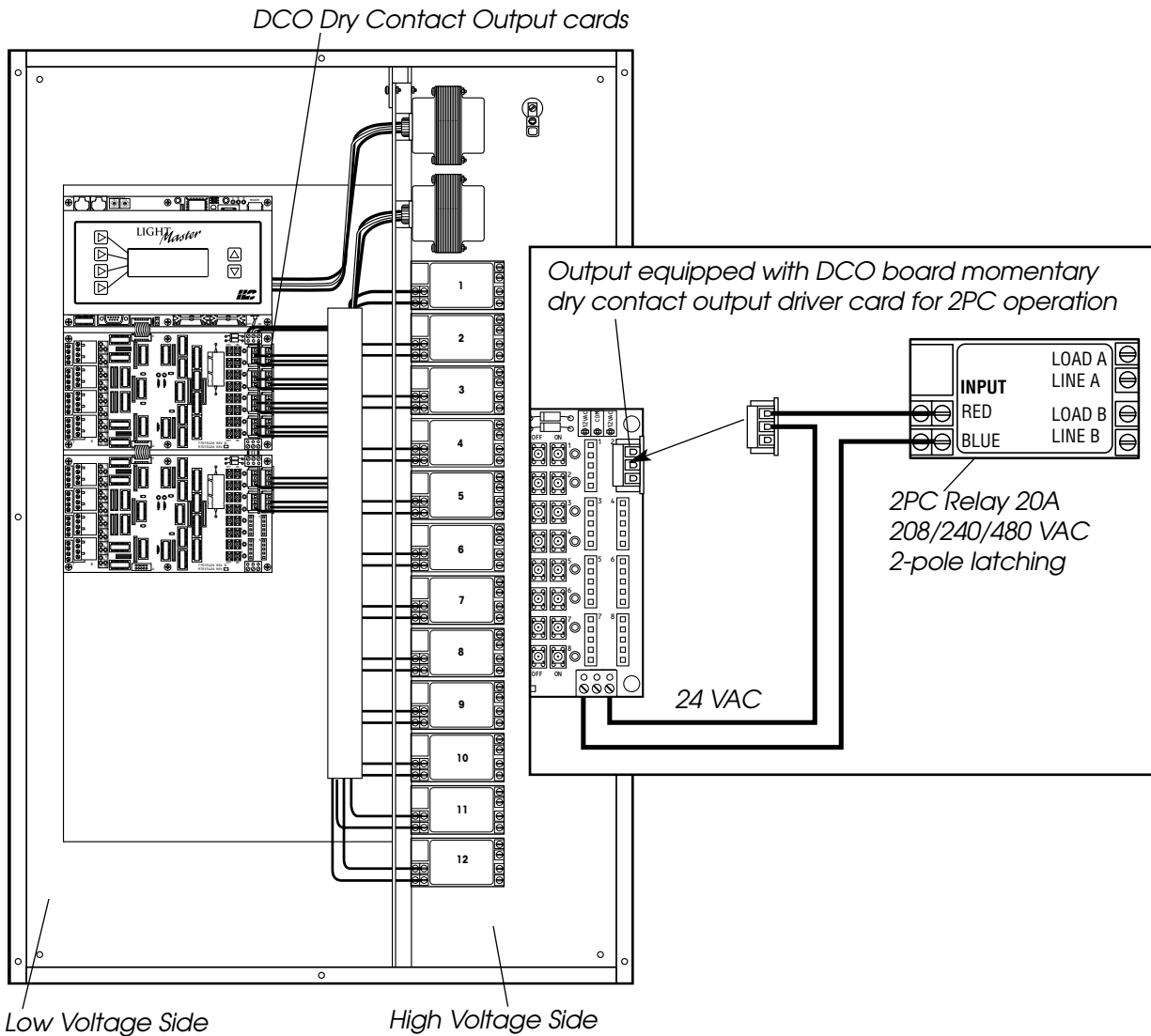
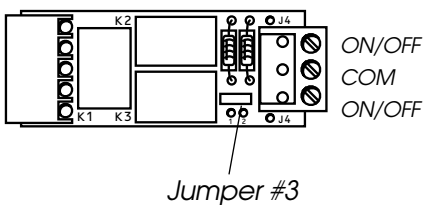


Aromat 2-pole Relay Installation



LightMaster 16 Relay Panel in 24 relay Enclosure equipped with 12- 2PC Relays

DCO Momentary Card



DCO (Dry Contact Output) board used to drive the 2PC Relay. Jumper position #3 is used to activate diodes (D1 and D2). The two outputs are polarized (+ON, -OFF) to allow 2-wire control of the 2PC Relay.

NOTE: Relay draws 350mA at 24V. Relay output must be set to 50ms pulse width for proper operation. Panels requiring instant-ON operation may require additional transformer. Consult factory for details.