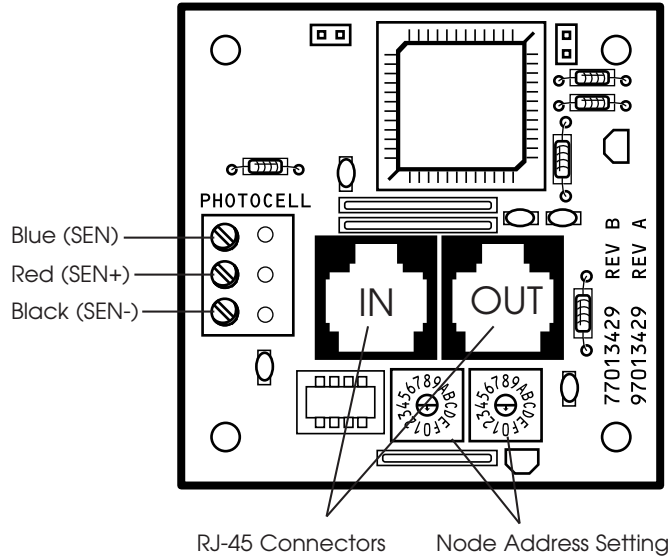
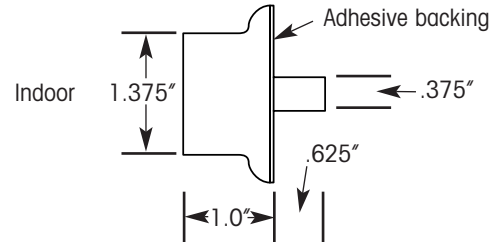
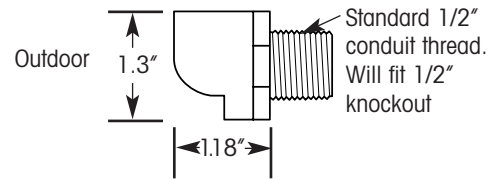


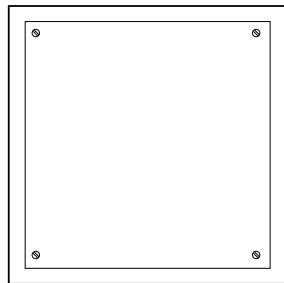
LightSync™ Photocell Controller Installation



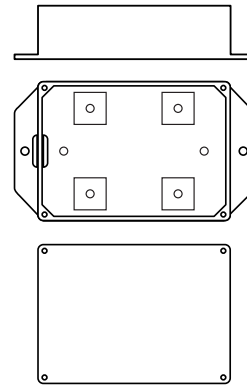
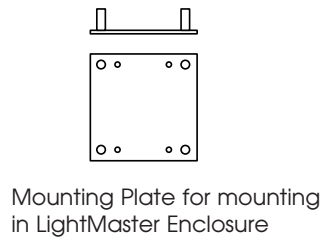
LightSync Photocell Controller Board



LightSync Photocell Heads



NEMA-Type Enclosure with Screw Cover



Covered Remote Mounting Box

LightSync Photocell Controller Board Mounting Options

Physical:

Outdoor Sensor:

- 1/2" knockout or threaded connector

Indoor Sensor:

- Designed to be mounted to ceiling tile or other ceiling structure
- UV stabilized

Electrical:

- Powered from LightSync data line

Mounting Options:

- Remote plastic mounting box
- Remote NEMA-type enclosure
- Mounted in LightMaster panel

Installation

1. Route the CAT-5 cable to the photocell controller from the nearest LightSync device.
2. Crimp male ends on the cable and check the cable integrity with a CAT-5 cable tester.
3. Install the photo sensor and terminate the conductors to the controller board.
4. Set the node address.
5. Plug the incoming CAT-5 cable into the "IN" photo-controller RJ-45 connector. Plug the other end of the CAT-5 into the "OUT" connector on the upstream LightSync node.



Energy Saving Lighting Controls

INTELLIGENT LIGHTING CONTROLS, INC.

5229 Edina Industrial Boulevard
Minneapolis, Minnesota 55439
Phone 952 829 1900
FAX 952 829 1901
www.ilc-usa.com

ID0605_revA