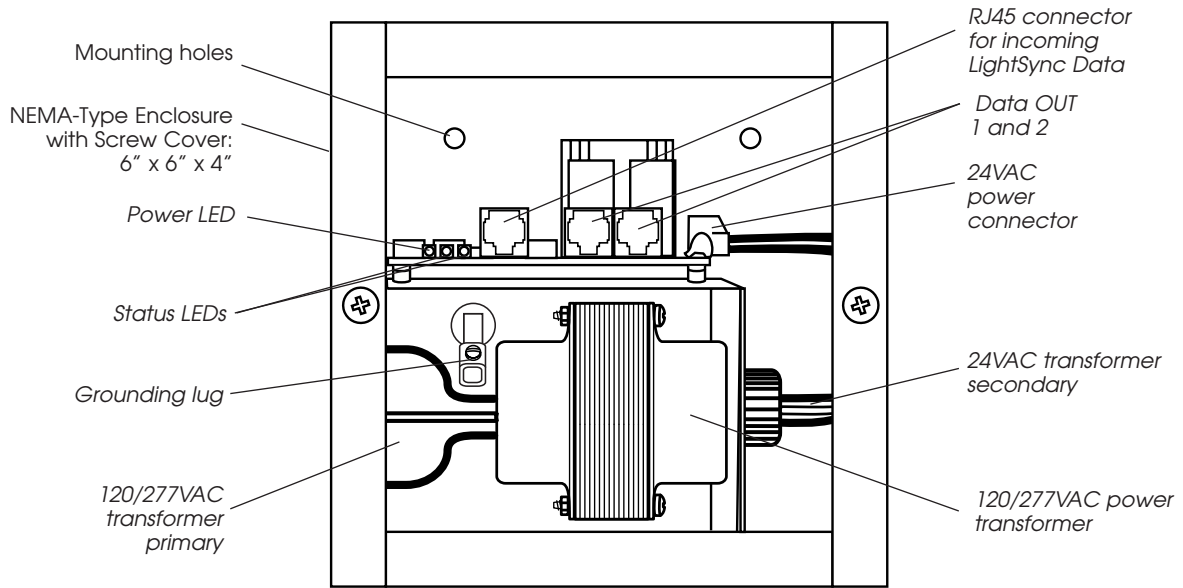
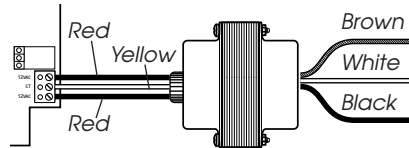


LightSync™ Power Supply Repeater Installation



LightSync Power Supply Repeater (PSR) Detail



PSR Transformer Termination Detail

General: A PSR operates on the LightSync data line and is both a power supply and data repeater. Its primary purpose is to repeat data (3000 feet combined end to end per each of 2 ports) and provide a bridge to another data line. This device has one incoming and two outgoing RJ45 ports, enabling the data line to be split into two different directions. The PSR will also power up to 20 LightSync devices for an additional 3000 cumulative feet per each port.

Physical:

- Mounts in relay panel or remotely
- Operates in any position

Electrical:

- 120/277VAC transformer

Capacities:

- Powers up to 20 additional LightSync devices
- Extends LightSync data run 1500 total end to end feet per port (2)
- Extends LightSync power run 1500 cumulative feet per port, or 3000 cumulative feet for the two ports combined

IMPORTANT LIGHTSYNC DATA LINE NOTES

- 1. Total Data Line Overall Distance:** The total data line end to end distance may not exceed 3000 feet without the addition of a PSR to the data line. Only a PSR will extend the data line.
- 2. Total number of LightSync devices powered:** No Lightmaster controller panel can power more than eight (8) LightSync devices on the data line without a PS, PSR or LightSync Hub (each can power up to 20 additional LightSync devices).
- 3. Total Power Cumulative Distance:** The cumulative distance from each device to its power supply may not exceed 2000 feet if powered by a Lightmaster panel, or 3000 feet if powered by a PS, PSR or LightSync Hub.