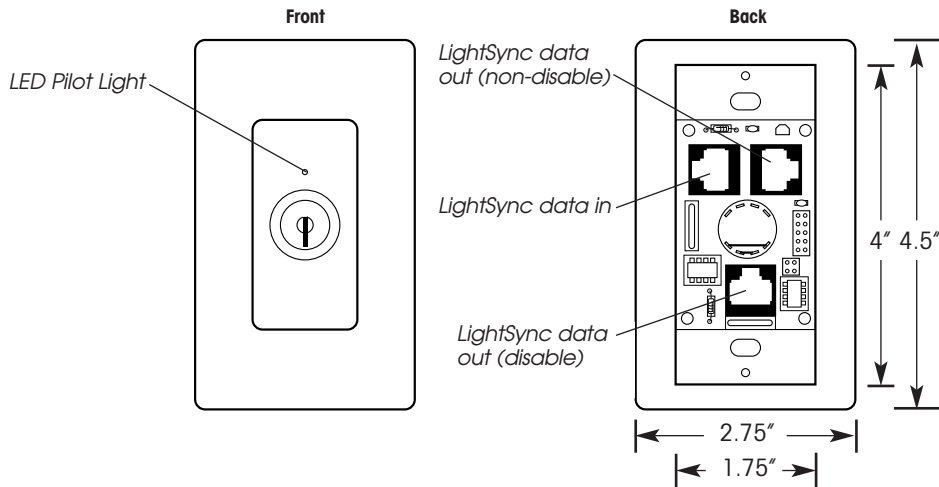


LightSync™ Data line Disable Key Switch Installation



Physical:

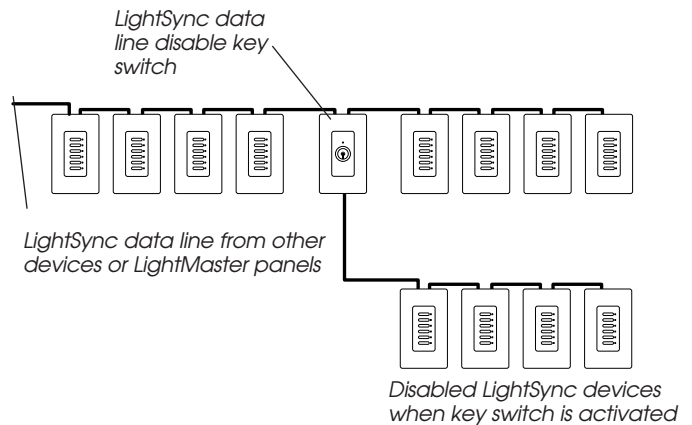
- Plate material:
 - Lexan® (screwless)
 - Painted steel (visible screw)
 - Stainless steel (screwless or visible screw)
- Switch plate colors:
 - Ivory, White, Black, Gray
- Mounts in standard one gang box spacing
- Mounting screws provided
- Switch Identification: Engraved lettering up to 10 characters

Electrical:

- Switch plates provided with a maintained key switches for enable/disable operation
- Powered from LightSync data line via CAT-5 cable
- RJ45 input/output connectors:
 - LightSync data line in
 - LightSync data line out (non-disabled)
 - LightSync data line out (disable)

Operating Environment:

- Location Interior space
- Operating Temperature 0° to 60° C (32° to 140° F)
- Relative Humidity 105 to 95% Non-condensing
- Atmosphere Non-explosive, Non-corrosive
- Vibration Stationary application NEMA Level A



LightSync data line disable key switch installation example

Perform the following procedures to wire the LightSync data line disable key switch.

Wire the disable Key switch

1. Run CAT-5 cable from the LightSync data line to the IN connector on the data line disable key switch.
2. Run CAT-5 cable from the OUT non-disable connector to the next device.
3. Run CAT-5 cable from the OUT disable connector to the first device that is required to be disabled then from that device to the next device to be disabled. Note that all devices connected to OUT disable port will be disabled when the key switch is activated.