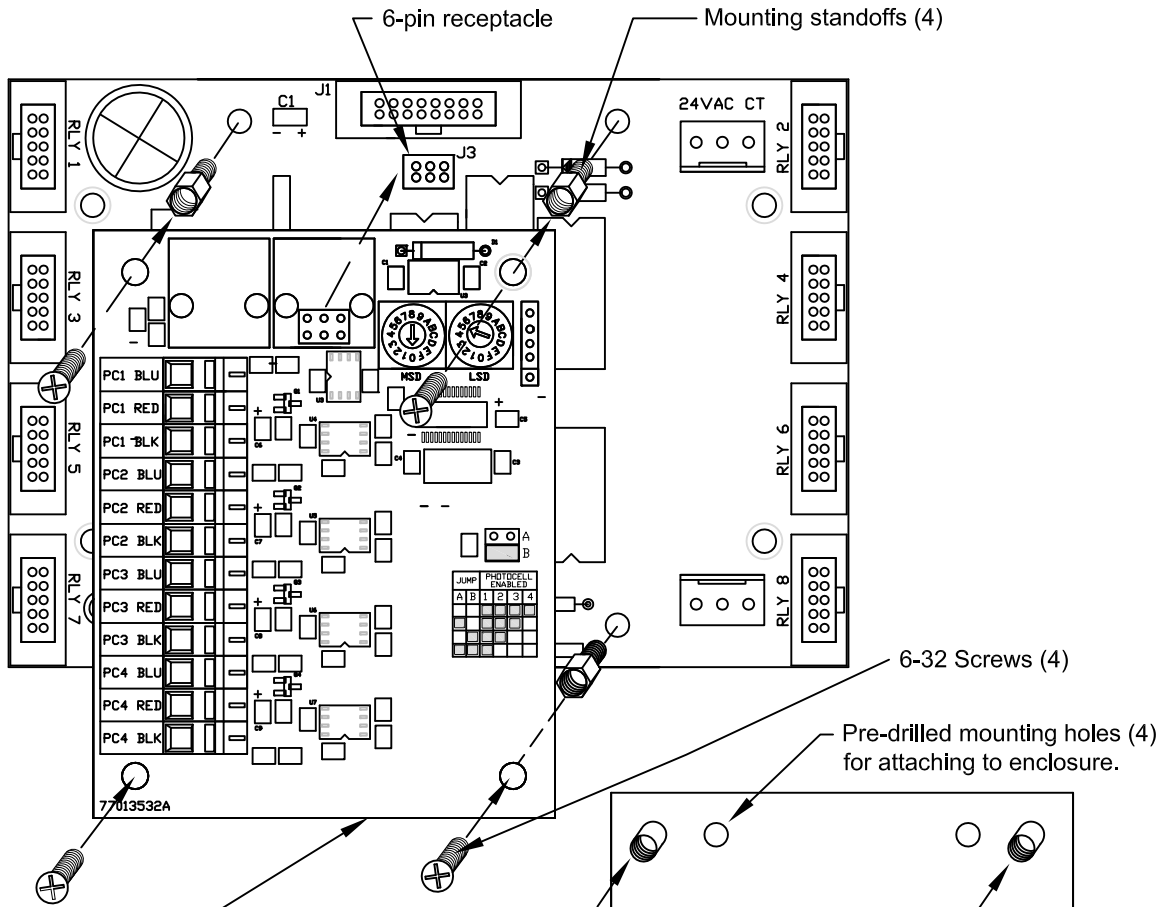


LightSync Photo Sensor 4 Module Installation Details



PANEL MOUNT:

The module can be mounted directly on the Relay Driver Module in the LightLEEDer panel. The module must be installed on the next available relay control module from the top down. Turn the power to the Controller OFF. Carefully align the 6 pin header on the back of the module with the 6 pin receptacle located on the top of the Relay Driver Module, gently push and verify the connection and install the screws provided. Verify the connection and set the address before powering the controller.

REMOTE MOUNT:

Remove the module from the mounting plate by removing the 4 mounting screws. Fasten the plate in a enclosure using the self-drilling screws provided. Replace the module and secure with the 4 screws previously removed.

