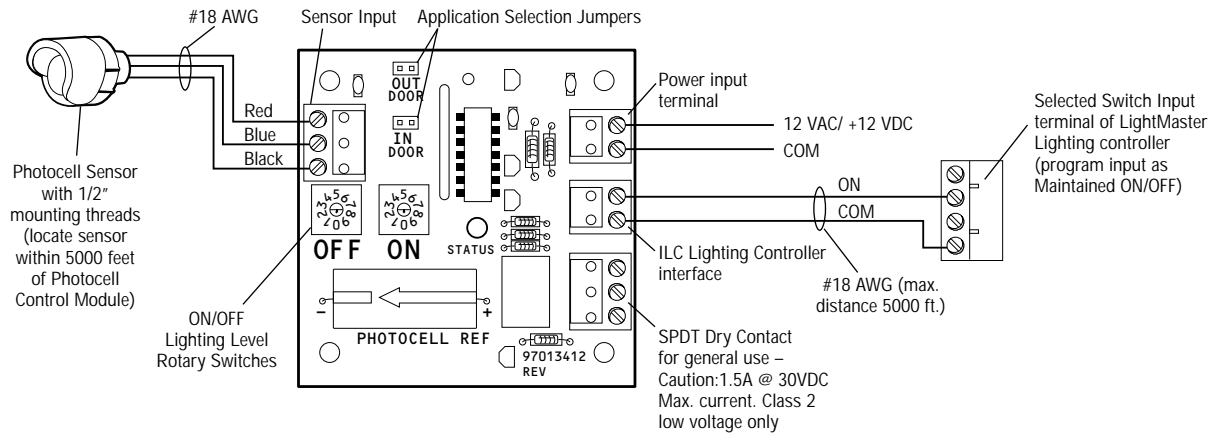


Photocell Controller Installation

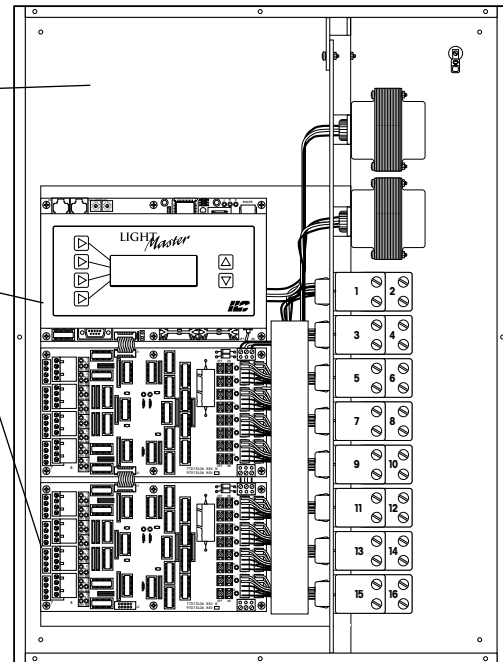
Photocell Controller (Outdoor Head shown, Indoor similar)



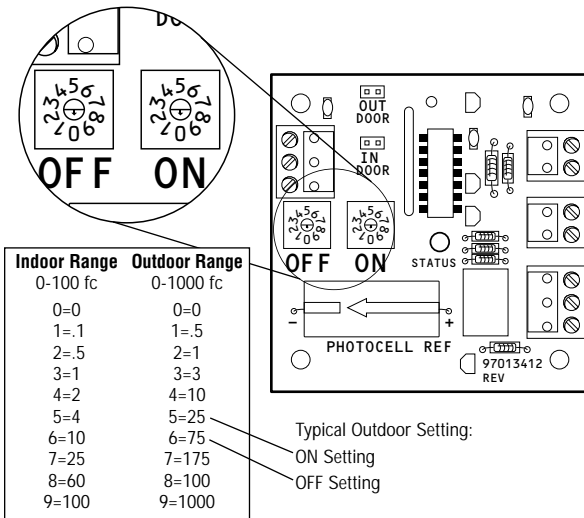
Incoming wires from Photocell Controller may land on any available input terminals. Input from Photocell Controller is programmed as a maintained ON/OFF switch type, and will work in conjunction with internal time clocks.

NOTE: Photo Sensor controller board typically mounted in low voltage side of controller panel

Switch Input terminals



ON and OFF Set Point Selectors



Energy Saving Lighting Controls

INTELLIGENT LIGHTING CONTROLS, INC.

5229 Edina Industrial Boulevard
Minneapolis, Minnesota 55439
Phone 952 829 1900
FAX 952 829 1901
www.ilc-usa.com

ID0800_revB