

Junction Box Mount DuraTouch Module Installation

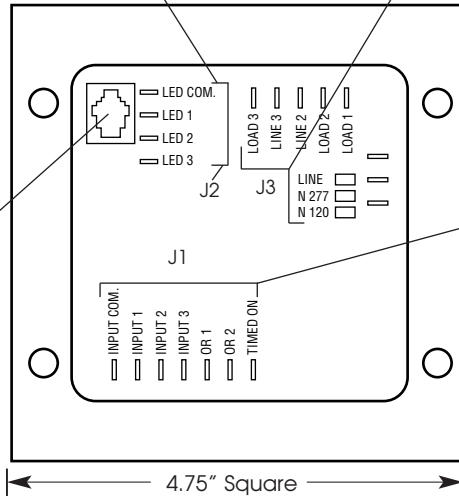
Low Voltage Status Connections

J2	Wire Connection
1	Status Power (10 VAC)
2	Load 1 Status
3	Load 2 Status
4	Load 3 Status

Line Voltage Connections

J3	Wire Connection
1	Neutral 120 VAC
2	Neutral 277 VAC
3	Line 120/277 VAC (for L1 & L2)
4	Load 1
5	Load 2
6	Line 120/277 VAC (for L1 & L2)
7	Line 120/277 VAC (for L3)
8	Load 3

RJ-11 Programming Jack



Low Voltage Input Connections

J1	Wire Connection
1	Input Common
2	Input 1
3	Input 2
4	Input 3
5	Master O. R.
6	Secondary O. R.
7	Timed ON

