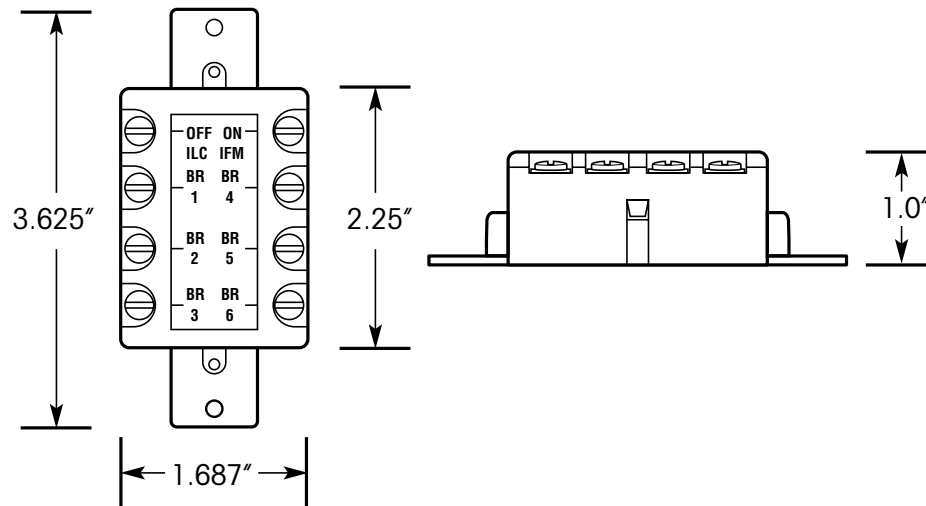


# IFM Interface Module for Transformer Relay



## General Information

- 1 to 6 TR Relays may be connected to the input terminals (BR-1 through BR-6) of an individual IFM
- The output terminals (ON and OFF) of IFMs may be connected in parallel
- Can be wired via MCS switch for ON/OFF, ON only or OFF only
- Can be interfaced with ILC's Contact Interface Module (CIF) for zone control
- Can be mounted in a 4 inch square outlet box with blank cover
- UL Listed
- Mounts in standard 4" outlet box
- Operates in any position

## Physical:

- Mounts in standard 4" outlet box
- Operates in any position

## Operating Environment:

- Location Interior Space
- Operating Temperature 0° to 60° C (32° to 140° F)
- Relative Humidity 10% to 95%
- Atmosphere Non-condensing, Non-explosive, Non-corrosive
- Vibration Stationary application, NEMA Level A

## Certifications:

- UL
- FCC approval for commercial and residential use