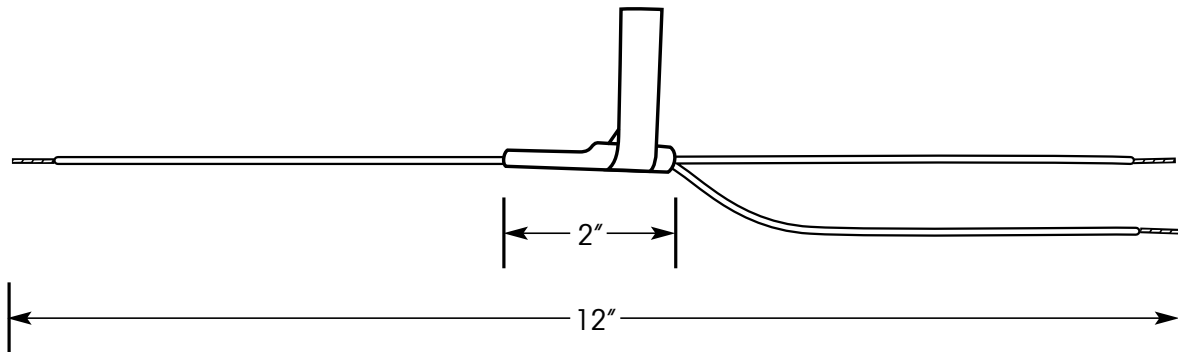
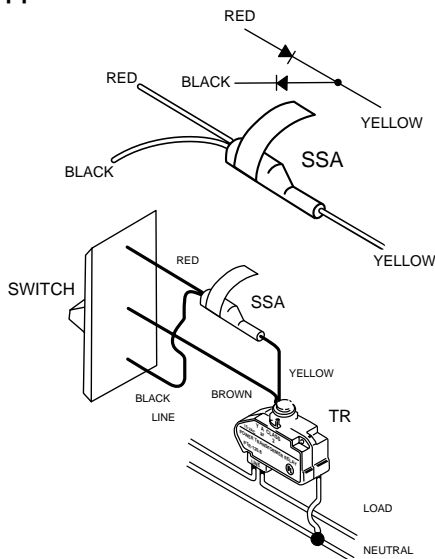


SSA Standard Switch Adaptor



Application



The SSA can be used in any situation where the designer declines to use the PCS switch. For example, if the decor of the building requires that switches be a color other than white or ivory. When replacing a pre-existing low voltage control system with ILC Transformer Relays, the designer could elect to add a SSA to each existing SPDT momentary contact switch rather than installing new PCSs.

Physical:

- Operates in any position
- Color coded leads, 20 AWG, 6 inch minimum
 - Yellow to yellow of TR relay
 - Black to OFF contact of SPDT switch
 - Red to ON contact of SPDT switch

Operating Environment:

- Location Interior Space
- Operating Temperature 0° to 60° C (32° to 140° F)
- Relative Humidity 10% to 95%
- Atmosphere Non-condensing, Non-explosive, Non-corrosive
- Vibration Stationary application, NEMA Level A

Certifications:

- UL