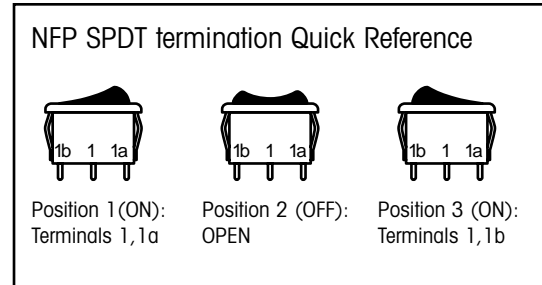
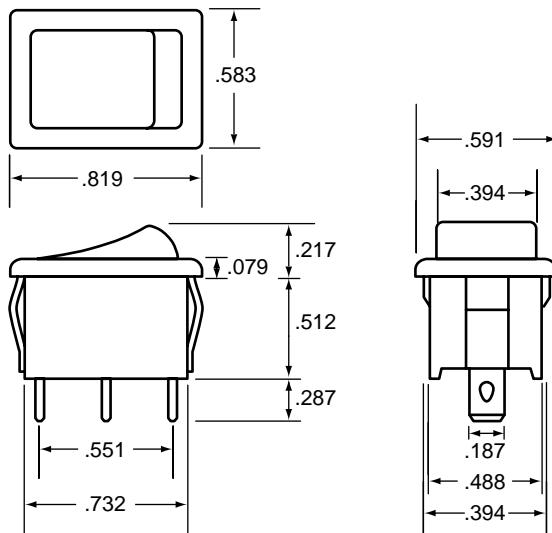


NFP Momentary Switch



NFP SPDT with Faston terminals shown
(measurements shown in inches)

General Information

- Heavy-duty Single pole double throw (SPDT), Momentary center OFF rocker switches
- Each switch is designed to provide a tactile feel and click to confirm to the user that the switch has been depressed
- Colors: Black, White, or Gray

Specifications:

- Rating: 15A @ 125VAC
8A @ 250VAC-UL, CUL, CSA
6A @ 250VAC-S, N, Fi, VDE
- Mechanical Life: 15,000 cycles
- Electrical Life: 10,000 cycles
- Contact Resistance: 10mΩ max. typical
initial @ 2-4VDC
- Insulation Resistance: >1,000 MΩ
- Dielectric Strengths: >1,500 volts 1 minute
>3,000 volts between poles

Physical:

- Switch body: Nylon 66
- Rocker: Polycarbonate
- Terminal: Silver plated copper alloy
- Contact: Coin silver, silver plated
- Operates in any position

Operating Environment:

- Location Interior Space
- Operating Temperature -30° to 85° C
- Relative Humidity 10% to 95%
Humidity Non-condensing
- Atmosphere Non-explosive,
Non-corrosive
- Vibration Stationary application
NEMA Level A

Certifications:

- UL, CSA, VDE, NEMKO, SEMKO, FIMKO