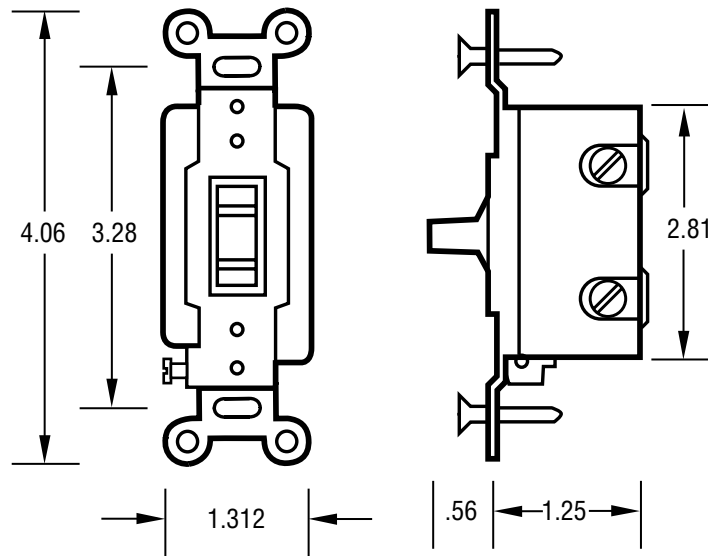


Hubbell® Momentary Switch Details



Hubbell Single Pole, Double Throw Switch
Cat. No. HBL1556, HBL1557

General Information

- Single Pole General Purpose AC Switch
- Toggle SPDT Center-OFF Momentary
- 15 (HBL1556) or 20 Amp (HBL1557), 120/277 VAC
- Industrial Grade
- Color: Brown
- Grounding, back & side wired
- Thermoset top (gray) and base (color coded by amperage)
- Nickel plated steel strap
- Limited 10 year warranty
- UL/CSA

Line Voltage Characteristics

- Contacts: large silver cadmium-oxide for long life, prevent sticking, welding and excessive pitting, brass contact arm
- Termination: clamp-type terminals accept up to #10 CU wire, back termination also

Physical:

- Mounts in standard one gang box
- Operates in any position

Electrical:

- 120/277 VAC
- Maximum Amp: 12 (1256), 16 (1257)
- Motor Loads
HBL1556: 1/2 HP - 120V, 1.5HP - 208V,
2HP - 240V-277V
HBL1557: 1 HP - 120V, 2HP - 208V-277V
- Fluorescent, tungsten and resistive loads:
full rated current capacity

Operating Environment:

- Location Interior Space
- Operating Temperature -40° to 75° C
- Relative Humidity 10% to 95% Non-condensing
- Atmosphere Non-explosive, Non-corrosive
Flammability rated UL 94 V2
- Vibration Stationary application
NEMA Level A

Testing and Code Compliance:

- UL listed UL20
- CSA Certified



Energy Saving Lighting Controls

INTELLIGENT LIGHTING CONTROLS, INC.

5229 Edina Industrial Boulevard
Minneapolis, Minnesota 55439
Phone 952 829 1900
FAX 952 829 1901
www.ilc-usa.com

PD0403_revA