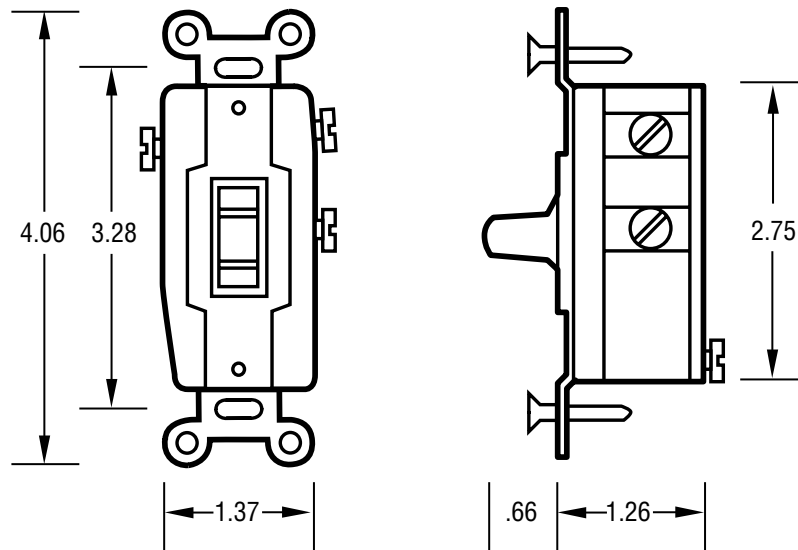


# Leviton Momentary Switch Details



*Leviton Single Pole, Double Throw Switch  
Cat. No. 1256, 1257*

## General Information

- Toggle double-throw Center-OFF Momentary
- 15 (1256) or 20 Amp (1257), 120/277 VAC
- Single Pole AC Quiet Switch
- Industrial Grade
- Grounding, back & side wired
- Thermoplastic actuator and body, steel strap
- Brown
- Limited 10 year warranty
- UL/CSA

## Line Voltage Characteristics

- Contacts: large silver cadmium-oxide for long life, prevent sticking, welding and excessive pitting
- Termination: clamp-type terminals accept up to #10 CU wire, back termination also

## Physical:

- Mounts in standard one gang box
- Operates in any position

## Electrical:

- 120/277 VAC
- Maximum Amp: 12 (1256), 16 (1257)
- Motor Loads
  - 1256: 1/2 HP - 120V, 2HP - 240V-277V
  - 1257: 1 HP - 120V, 2HP - 240V-277V
- Fluorescent, tungsten and resistive loads: full rated current capacity

## Operating Environment:

- Location Interior Space
- Operating Temperature -40° to 65° C
- Relative Humidity 10% to 95%  
Non-condensing
- Atmosphere Non-explosive, Non-corrosive  
Flammability rated V2
- Vibration Stationary application  
NEMA Level A

## Testing and Code Compliance:

- Meets all requirements for NEMA WD-1, ANSI
- UL listed (File #E-7458)
- CSA Certified (File #LR-3413)
- NOM Certified (#057)