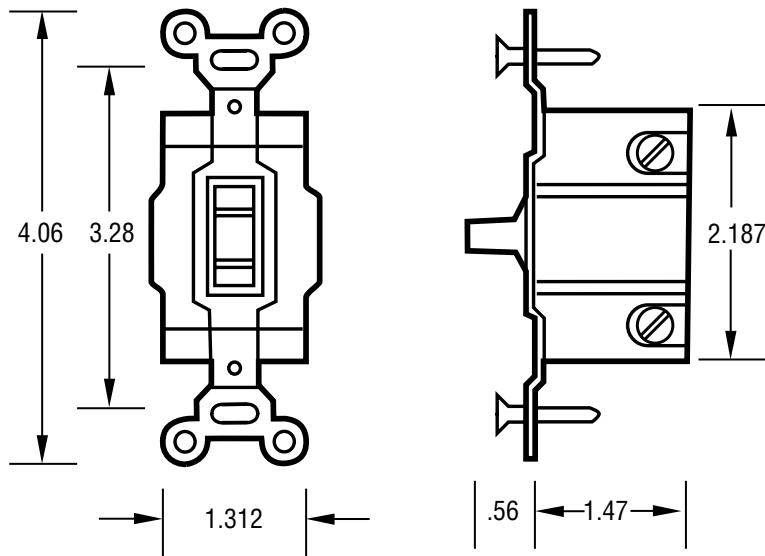


Pass & Seymour Momentary Switch Details



Pass & Seymour Single Pole, Double Throw Switch
Cat. No. 1250-I, 1251-I

General Information

- Single Pole General Purpose AC Switch
- Toggle SPDT Center-OFF Momentary
- 15 (1250-I) or 20 Amp (1251-I), 120/277 VAC
- Industrial Grade
- Color: Ivory (others available)
- Fiber terminal insulation barrier standard
- Thermoset top, body and toggle
- Steel strap
- Limited 10 year warranty
- UL/CSA

Line Voltage Characteristics

- Contacts: oversize silver alloy for long life and better heat dissipation
- Termination: clamp-type terminals accept up to #10 CU wire, back termination also

Physical:

- Mounts in standard one gang box
- Operates in any position

Electrical:

- 120/277 VAC
- Maximum Amp: 12 (1256), 16 (1257)
- Motor Loads
 - 1250-I: 1/2 HP - 120V, 2HP - 240V-277V
 - 1251-I: 1 HP - 120V, 2HP - 240V
- Fluorescent, tungsten and resistive loads: full rated current capacity

Operating Environment:

- Location Interior Space
- Operating Temperature -40° to 75° C
- Relative Humidity 10% to 95% Non-condensing
- Atmosphere Non-explosive, Non-corrosive
Flammability rated UL 94 V2
- Vibration Stationary application
NEMA Level A

Testing and Code Compliance:

- UL listed
- CSA Certified
- Conforms to NEMA WD-1