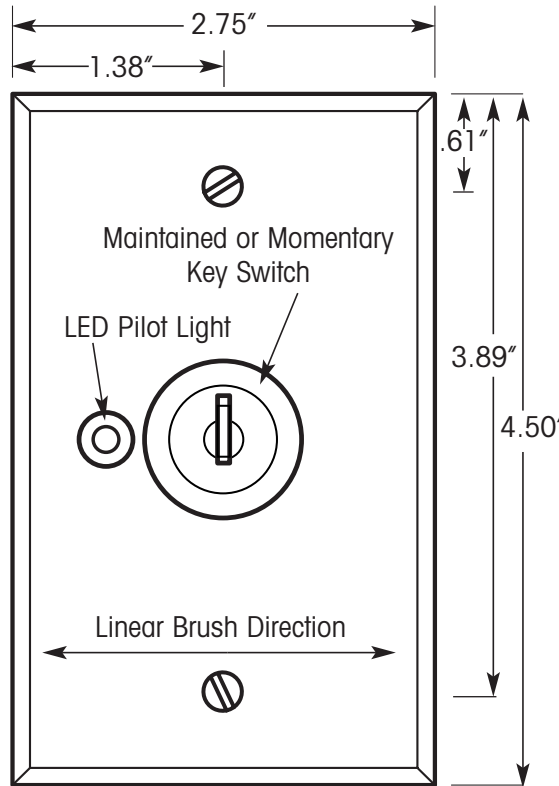


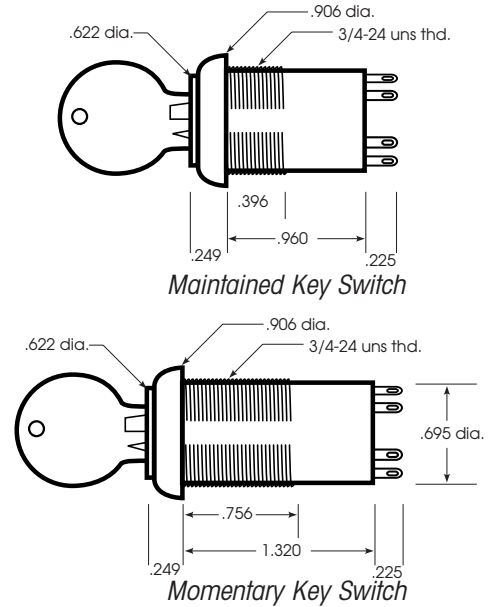
Single Gang One Device Key Switch w/LED

Single Gang Key Switch Plate (shown 80% of actual size)

- mounting screws included
- mounts in standard electrical one gang switch box



ILC Maintained or Momentary Key Switch (shown 75% of actual size)



ILC Part Number

KS - 01 - 01 - LED - _ _ _ *

Gang size
(1 or 2-Standard)

No. of Switches
(1 or 2-Standard)

LED Pilot
(LED or N/A)

Plate
(AL= Aluminum
SS= Stainless Steel
PW= Painted White)

Custom configurations are available – consult factory for custom switch plate options. Refer to cut sheet for operating specifications.

***Last two characters denote plate material:**

AL= Material - Clear anodized aluminum
Thickness - .040 inches
Finish - 220 linear brush
Wall plate with beveled edges
Standard switch color: Chrome

SS= Material - 302 stainless steel
Thickness - .040 inches
Finish - 220 linear brush
Wall plate with beveled edges
Standard switch color: Chrome

PW= Material - CRS plate painted white
Thickness - .040 inches
Finish - painted white
Wall plate with beveled edges
Standard switch color: Chrome

Job Name: _____

ILC GO Number: _____

Typical of: _____

Notes: _____
