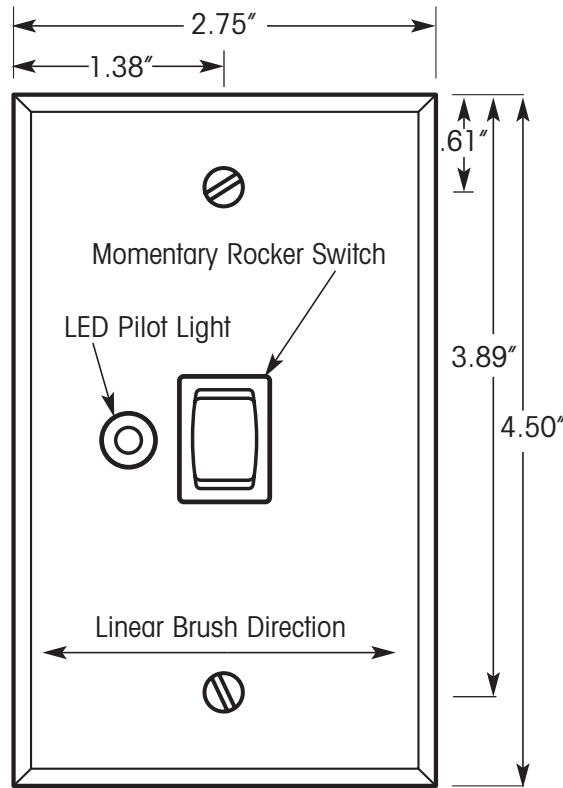


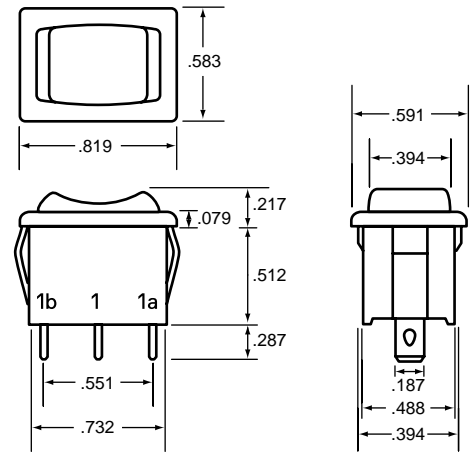
# NFP Series Single Gang One Device Switch Plate w/LED

NFP Series Single Gang Switch Plate (shown 80% of actual size)

- mounting screws included
- mounts in standard electrical one gang switch box



NFP Momentary Rocker Switch (shown 100% of actual size)



ILC Part Number

**NFP - 01 - 01 - LED - \_ \_ \_ \***

- Gang Size (1 or 2-Standard)
- Required Switches (1 - 8-Standard)
- LED Pilot (LED or NA)
- Plate (AL= Aluminum, SS= Stainless Steel, PW= Painted White)

Custom configurations are available - consult factory for custom switch plate options. Refer to cut sheet for operating specifications.

**\*Last two characters denote plate material:**

AL= Material - Clear anodized aluminum  
 Thickness - .040 inches  
 Finish - 220 linear brush  
 Wall plate with beveled edges  
 Standard switch color: Black

SS= Material - 302 stainless steel  
 Thickness - .040 inches  
 Finish - 220 linear brush  
 Wall plate with beveled edges  
 Standard switch color: Black

PW= Material - CRS plate painted white  
 Thickness - .040 inches  
 Finish - painted white  
 Wall plate with beveled edges  
 Standard switch color: White

Job Name: \_\_\_\_\_

ILC GO Number: \_\_\_\_\_

Typical of: \_\_\_\_\_

Notes: \_\_\_\_\_

\_\_\_\_\_