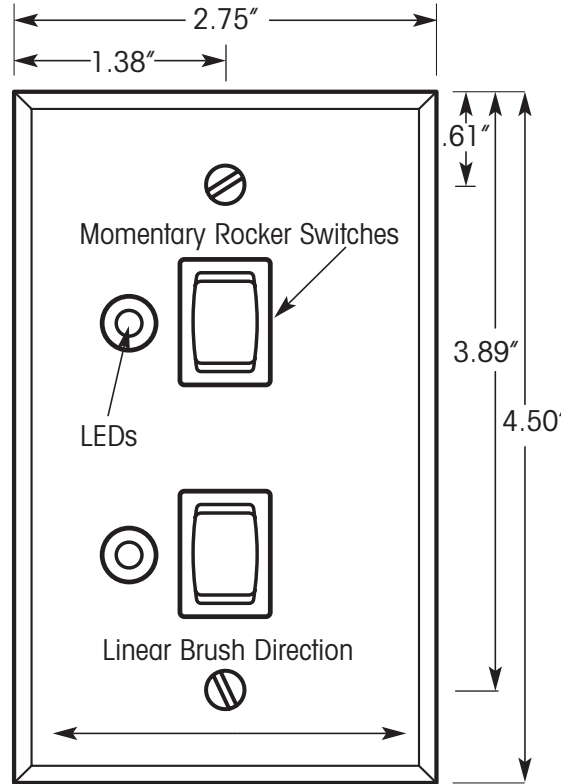


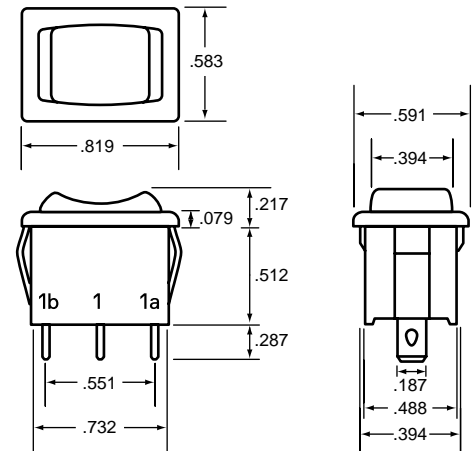
NFP Series Single Gang Two Device Switch Plate w/LED

NFP Series Single Gang Switch Plate (shown 80% of actual size)

- mounting screws included
- mounts in standard electrical one gang switch box



NFP Momentary Rocker Switch (shown 100% of actual size)



ILC Part Number

NFP - 01 - 02 - LED - _ _ *

Gang Size (1 or 2-Standard)
 Required Switches (1 - 8-Standard)
 LED Pilot (LED or NA)
 Plate (AL= Aluminum, SS= Stainless Steel, PW= Painted White)

Custom configurations are available - consult factory for custom switch plate options. Refer to cut sheet for operating specifications.

***Last two characters denote plate material:**

AL= Material - Clear anodized aluminum
 Thickness - .040 inches
 Finish - 220 linear brush
 Wall plate with beveled edges
 Standard switch color: Black

SS= Material - 302 stainless steel
 Thickness - .040 inches
 Finish - 220 linear brush
 Wall plate with beveled edges
 Standard switch color: Black

PW= Material - CRS plate painted white
 Thickness - .040 inches
 Finish - painted white
 Wall plate with beveled edges
 Standard switch color: White

Job Name: _____

ILC GO Number: _____

Typical of: _____

Notes: _____
