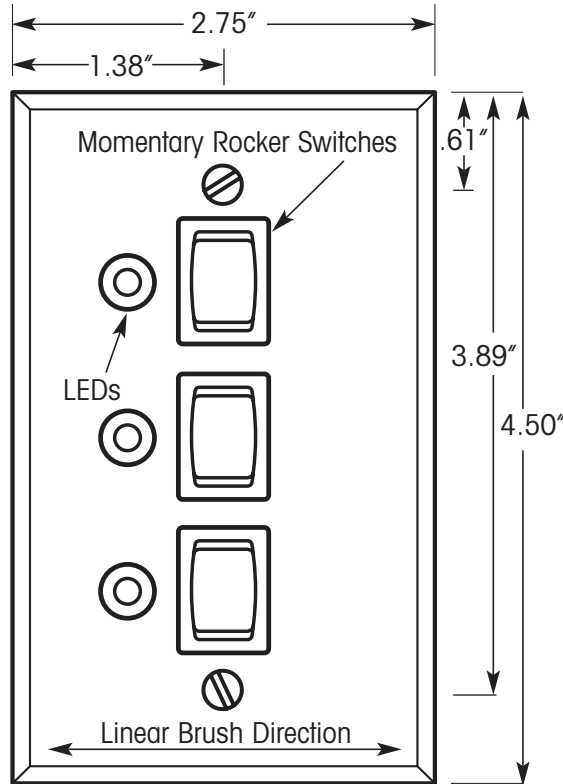


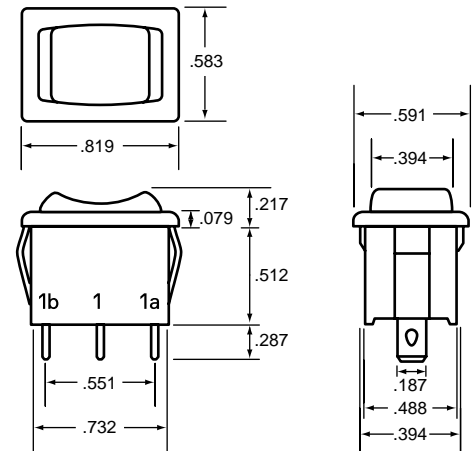
NFP Series Single Gang Three Device Switch Plate w/LED

NFP Series Single Gang Switch Plate (shown 80% of actual size)

- mounting screws included
- mounts in standard electrical one gang switch box



NFP Momentary Rocker Switch (shown 100% of actual size)



***Last two characters denote plate material:**

AL= Material - Clear anodized aluminum
 Thickness - .040 inches
 Finish - 220 linear brush
 Wall plate with beveled edges
 Standard switch color: Black

SS= Material - 302 stainless steel
 Thickness - .040 inches
 Finish - 220 linear brush
 Wall plate with beveled edges
 Standard switch color: Black

PW= Material - CRS plate painted white
 Thickness - .040 inches
 Finish - painted white
 Wall plate with beveled edges
 Standard switch color: White

ILC Part Number

NFP - 01 - 03 - LED - _ _ *

Gang Size
(1 or 2-Standard)

Required Switches
(1 - 8-Standard)

LED Pilot
(LED or NA)

Plate
(AL= Aluminum
 SS= Stainless Steel
 PW= Painted White)

Custom configurations are available - consult factory for custom switch plate options. Refer to cut sheet for operating specifications.

Job Name: _____

ILC GO Number: _____

Typical of: _____

Notes: _____



Energy Saving Lighting Controls

INTELLIGENT LIGHTING CONTROLS, INC.

5229 Edina Industrial Boulevard
 Minneapolis, Minnesota 55439
 Phone 952 829 1900
 FAX 952 829 1901
 www.ilc-usa.com

PD0409_revA