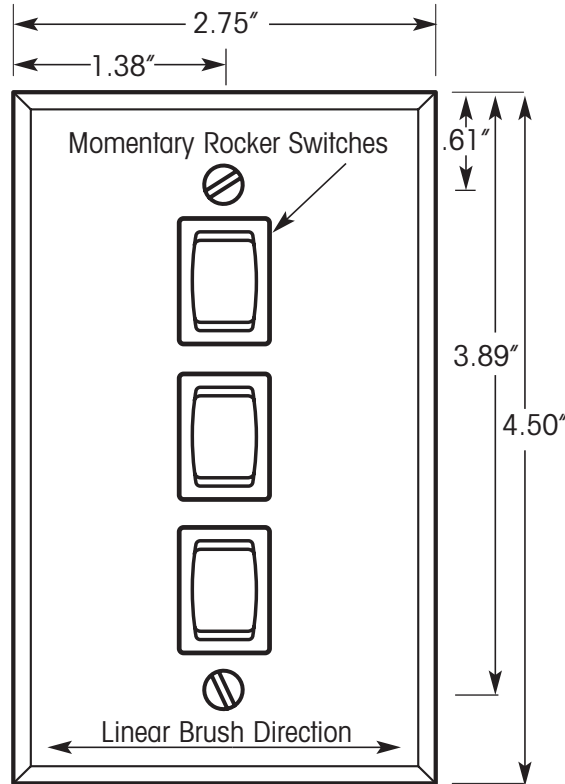


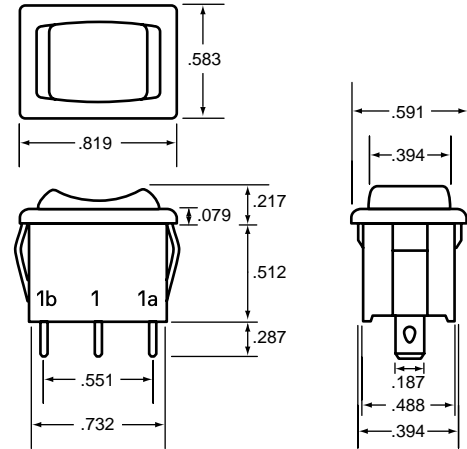
NFP Series Single Gang Two Device Switch Plate

NFP Series
Single Gang
Switch Plate
(shown 80%
of actual size)

- mounting screws included
- mounts in standard electrical one gang switch box



NFP Momentary Rocker Switch
(shown 100% of actual size)



***Last two characters denote plate material:**

AL= Material - Clear anodized aluminum
Thickness - .040 inches
Finish - 220 linear brush
Wall plate with beveled edges
Standard switch color: Black

SS= Material - 302 stainless steel
Thickness - .040 inches
Finish - 220 linear brush
Wall plate with beveled edges
Standard switch color: Black

PW= Material - CRS plate painted white
Thickness - .040 inches
Finish - painted white
Wall plate with beveled edges
Standard switch color: White

ILC Part Number

NFP - 01 - 03 - NA - _ _ *

Gang Size
(1 or 2-Standard)

Required Switches
(1 - 8-Standard)

LED Pilot
(LED or NA)

Plate
(AL= Aluminum
SS= Stainless Steel
PW= Painted White)

Custom configurations are available -
consult factory for custom switch plate options.
Refer to cut sheet for operating specifications.

Job Name: _____

ILC GO Number: _____

Typical of: _____

Notes: _____



Energy Saving Lighting Controls

INTELLIGENT LIGHTING CONTROLS, INC.

5229 Edina Industrial Boulevard
Minneapolis, Minnesota 55439
Phone 952 829 1900
FAX 952 829 1901
www.ilc-usa.com

PD0415_revA