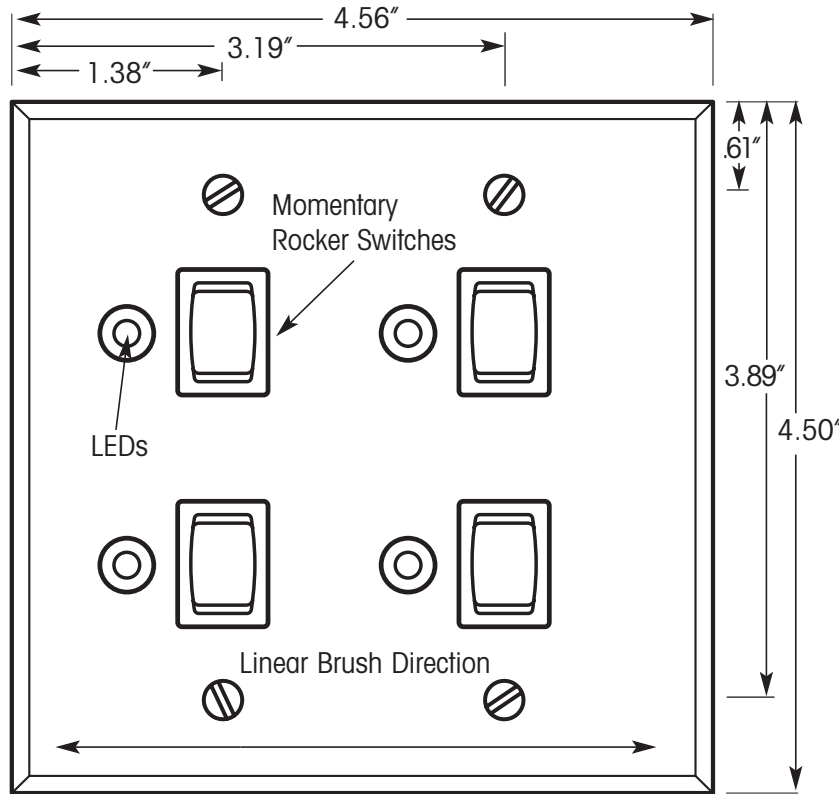


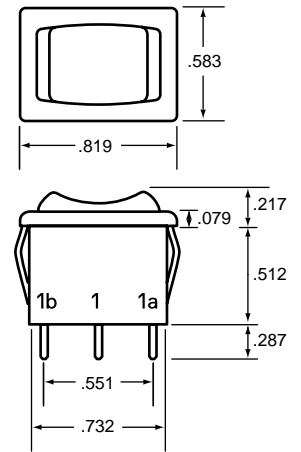
# Custom NFP Series Two Gang Four Device Switch Plate w/LED and Engraving

NFP Series Two Gang Switch Plate (shown 80% of actual size)

- mounting screws included
- mounts in standard electrical two gang switch box



NFP Momentary Rocker Switch (shown 100% of actual size)



ILC Part Number

**CSP-NFP - 02 - 04 - LED - \_ \_ \* - ENG**

Gang size  
(1 or 2-Standard)

Required Switches  
(1 - 8 Standard)

LED Pilot  
(LED or N/A)

Plate  
(AL= Aluminum  
SS= Stainless Steel  
PW= Painted White)

Custom configurations are available – consult factory for custom switch plate options. Refer to cut sheet for operating specifications.

**\*These two characters denote plate material:**

AL= Material - Clear anodized aluminum  
Thickness - .040 inches  
Finish - 220 linear brush  
Wall plate with beveled edges  
Standard switch color: Black

SS= Material - 302 stainless steel  
Thickness - .040 inches  
Finish - 220 linear brush  
Wall plate with beveled edges  
Standard switch color: Black

PW= Material - CRS plate painted white  
Thickness - .040 inches  
Finish - painted white  
Wall plate with beveled edges  
Standard switch color: White

<p>Job Name: _____</p> <p>ILC GO Number: _____</p> <p>Switch Location: _____</p> <p>Typical of: _____ Note: _____</p> <p>Note: _____</p>	<p><b>Engraving</b> (1 line per switch of 10 characters maximum)</p> <p>1. _____</p> <p>2. _____</p> <p>3. _____</p> <p>4. _____</p> <div style="text-align: center;"> </div>
--	---