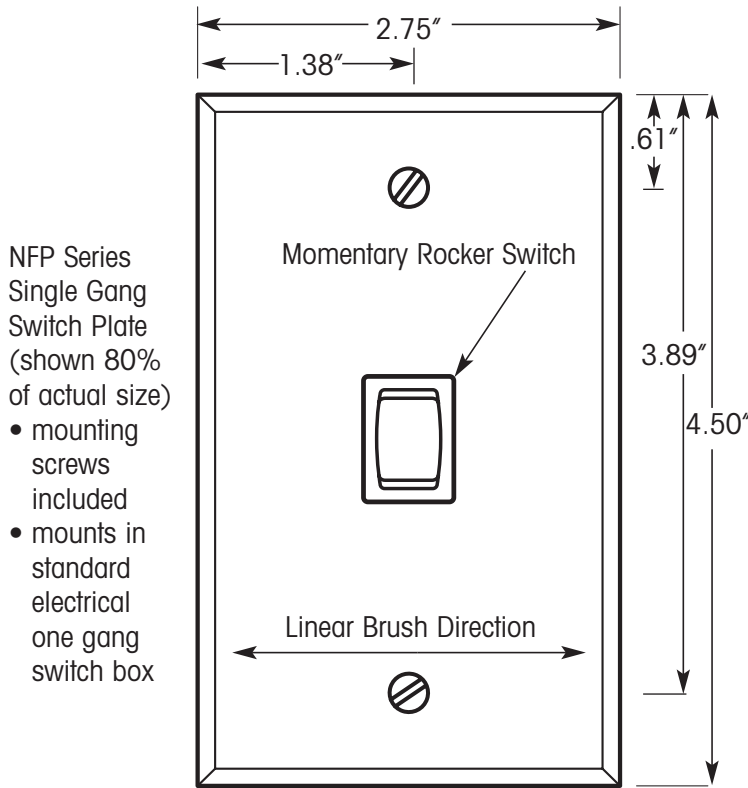


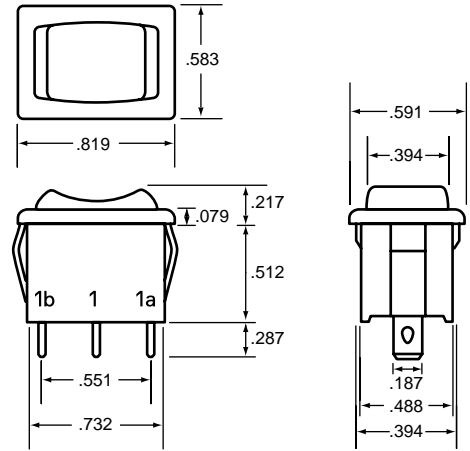
Custom NFP Series Single Gang One Device Switch Plate with Engraving



NFP Series Single Gang Switch Plate (shown 80% of actual size)

- mounting screws included
- mounts in standard electrical one gang switch box

NFP Momentary Rocker Switch (shown 100% of actual size)



ILC Part Number

CSP-NFP - 01 - 01 - NA - ___ - * - ENG

Gang Size
(1 or 2-Standard)
Required Switches
(1 - 8-Standard)
LED Pilot
(LED or NA)
Plate
(AL= Aluminum
SS= Stainless Steel
PW= Painted White)

Custom configurations are available - consult factory for custom switch plate options. Refer to cut sheet for operating specifications.

***These two characters denote plate material:**

AL= Material - Clear anodized aluminum
Thickness - .040 inches
Finish - 220 linear brush
Wall plate with beveled edges
Standard switch color: Black

SS= Material - 302 stainless steel
Thickness - .040 inches
Finish - 220 linear brush
Wall plate with beveled edges
Standard switch color: Black

PW= Material - CRS plate painted white
Thickness - .040 inches
Finish - painted white
Wall plate with beveled edges
Standard switch color: White

Job Name: _____	Engraving (2 lines of 10 characters each maximum) _____ _____
ILC GO Number: _____	
Switch Location: _____	
Typical of: _____ Notes: _____	
Notes: _____	