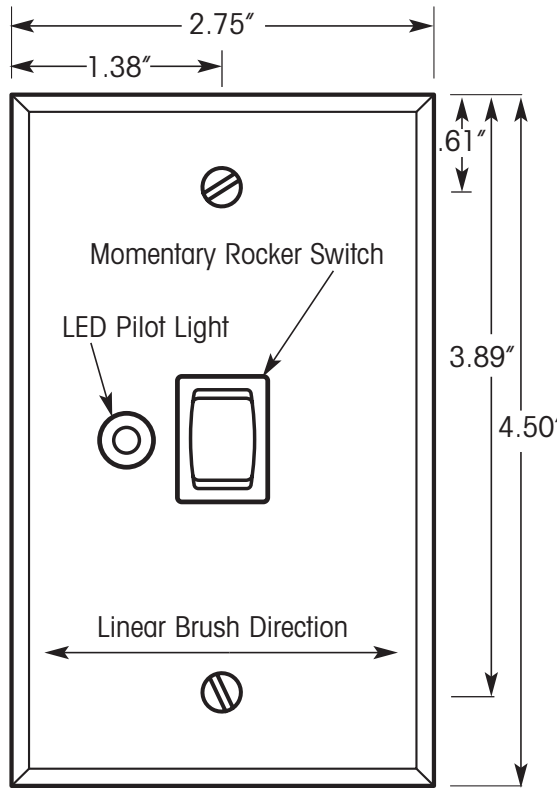


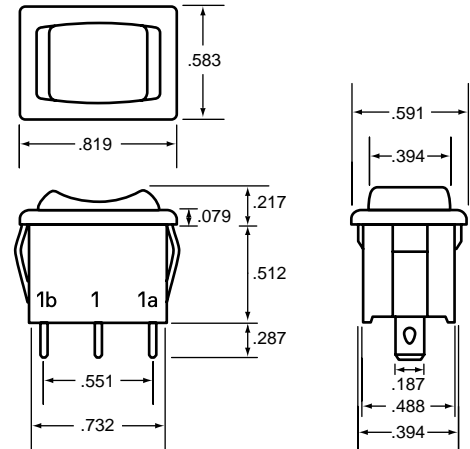
# NFP Series Single Gang One Device Switch Plate w/LED and Engraving

NFP Series Single Gang Switch Plate (shown 80% of actual size)

- mounting screws included
- mounts in standard electrical one gang switch box



NFP Momentary Rocker Switch (shown 100% of actual size)



ILC Part Number

**CSP-NFP - 01 - 01 - LED - \_\_\_ - \* - ENG**

Gang Size (1 or 2-Standard)  
 Required Switches (1 - 8 Standard)  
 LED Pilot (LED or NA)  
 Plate (AL= Aluminum, SS= Stainless Steel, PW= Painted White)

Custom configurations are available - consult factory for custom switch plate options. Refer to cut sheet for operating specifications.

**\*These two characters denote plate material:**

AL= Material - Clear anodized aluminum  
 Thickness - .040 inches  
 Finish - 220 linear brush  
 Wall plate with beveled edges  
 Standard switch color: Black

SS= Material - 302 stainless steel  
 Thickness - .040 inches  
 Finish - 220 linear brush  
 Wall plate with beveled edges  
 Standard switch color: Black

PW= Material - CRS plate painted white  
 Thickness - .040 inches  
 Finish - painted white  
 Wall plate with beveled edges  
 Standard switch color: White

Job Name: _____	Engraving (2 lines of 10 characters each maximum) _____ _____
ILC GO Number: _____	
Switch Location: _____	
Typical of: _____ Notes: _____	
Notes: _____	