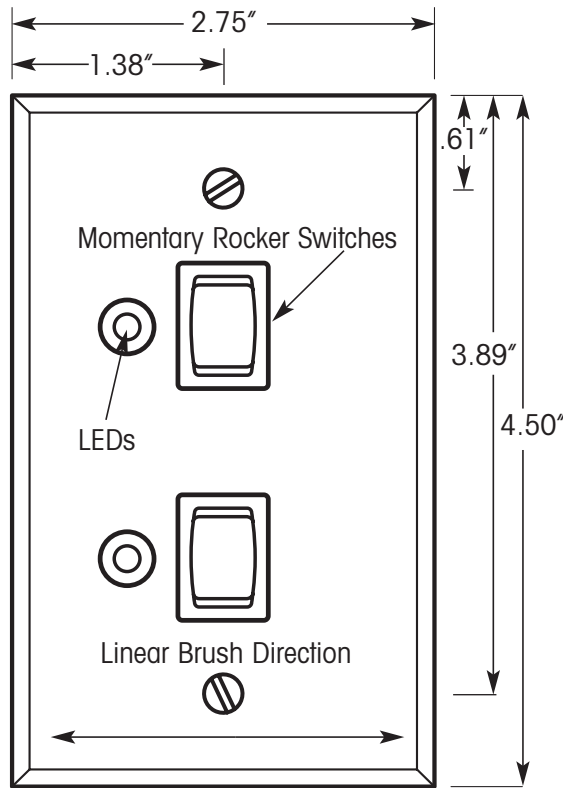


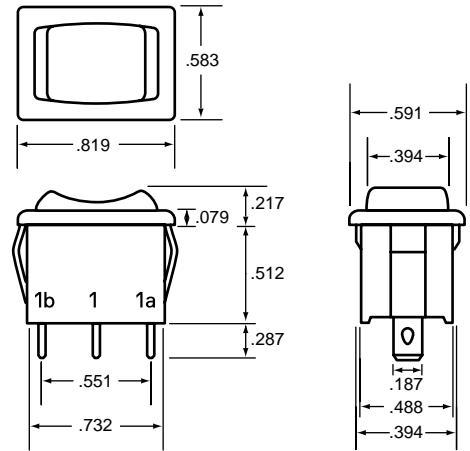
# NFP Series Single Gang Two Device Switch Plate w/LED and Engraving

NFP Series Single Gang Switch Plate (shown 80% of actual size)

- mounting screws included
- mounts in standard electrical one gang switch box



NFP Momentary Rocker Switch (shown 100% of actual size)



\*These two characters denote plate material:

AL= Material - Clear anodized aluminum  
 Thickness - .040 inches  
 Finish - 220 linear brush  
 Wall plate with beveled edges  
 Standard switch color: Black

SS= Material - 302 stainless steel  
 Thickness - .040 inches  
 Finish - 220 linear brush  
 Wall plate with beveled edges  
 Standard switch color: Black

PW= Material - CRS plate painted white  
 Thickness - .040 inches  
 Finish - painted white  
 Wall plate with beveled edges  
 Standard switch color: White

ILC Part Number

**CSP-NFP - 01 - 02 - LED - \_\_\_ - \* - ENG**

Gang Size (1 or 2-standard)  
 Required Switches (1 - 8 standard)  
 LED Pilot (LED or NA)  
 Plate (AL= Aluminum, SS= Stainless Steel, PW= Painted White)

Custom configurations are available - consult factory for custom switch plate options. Refer to cut sheet for operating specifications.

<p>Job Name: _____</p> <p>ILC GO Number: _____</p> <p>Switch Location: _____</p> <p>Typical of: ___ Note: _____</p> <p>Note: _____</p>	<p><b>Engraving</b>              (1 line per switch of 10 characters maximum)</p> <p>1. _____</p> <p>2. _____</p>
--	---