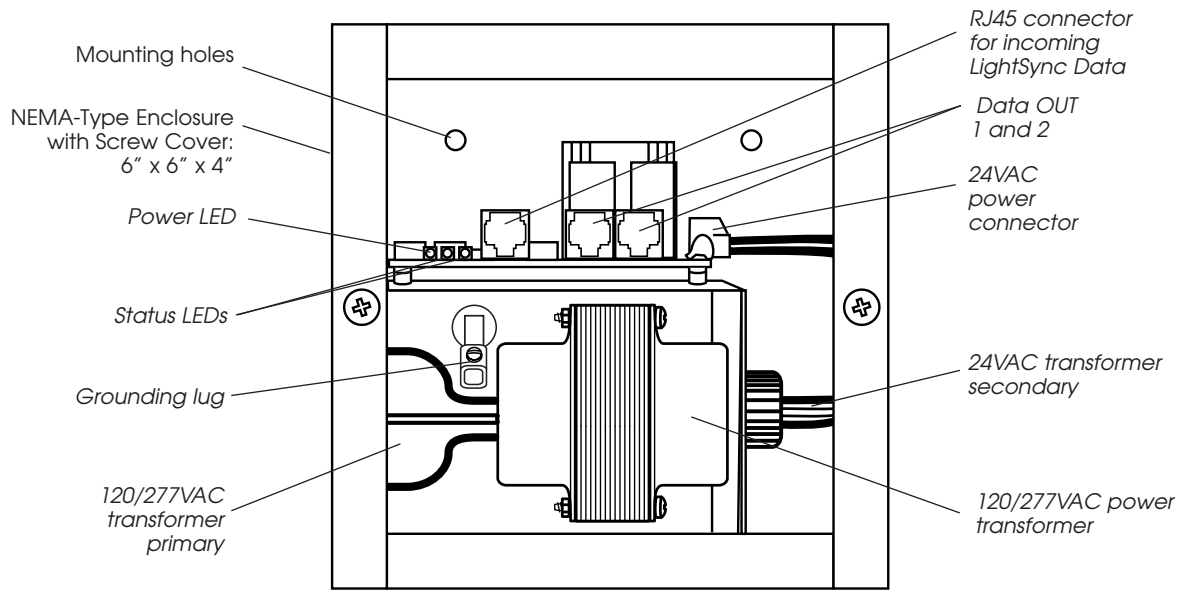


# LightSync™ PSR Power Supply Repeater



LightSync Power Supply Repeater (PSR)

## General Information

- Allows splitting LightSync data line ("T" operation)
- Extends LightSync data line network capacity by providing power for up to 20 additional control devices
- Repeater function extends network length
- No programming required
- Remote mounting in any location
- Internal power source
- UL Listed
- Operates in any position

## Characteristics

- Allows up to 20 additional LightSync control devices on LightMaster network run
- CAT-5 connectivity
- Extend Network Length
- Allows "T" splitting of CAT-5 Cable Path
- No Programming Required

## Physical:

- Mounts in relay panel or remotely in standard NEMA-type enclosure (shown above)
- Operates in any position

## Electrical:

- 120/277VAC transformer

## Capacities:

- Powers up to 20 additional LightSync devices
- Extends LightSync power run 1500 cumulative feet per port, or 3000 cumulative feet for the two ports combined

## Operating Environment:

- Location Interior Space
- Operating Temperature 0° to 60° C (32° to 140° F)
- Relative Humidity 10% to 95%  
Non-condensing
- Atmosphere Non-explosive,  
Non-corrosive
- Vibration Stationary application  
NEMA Level A