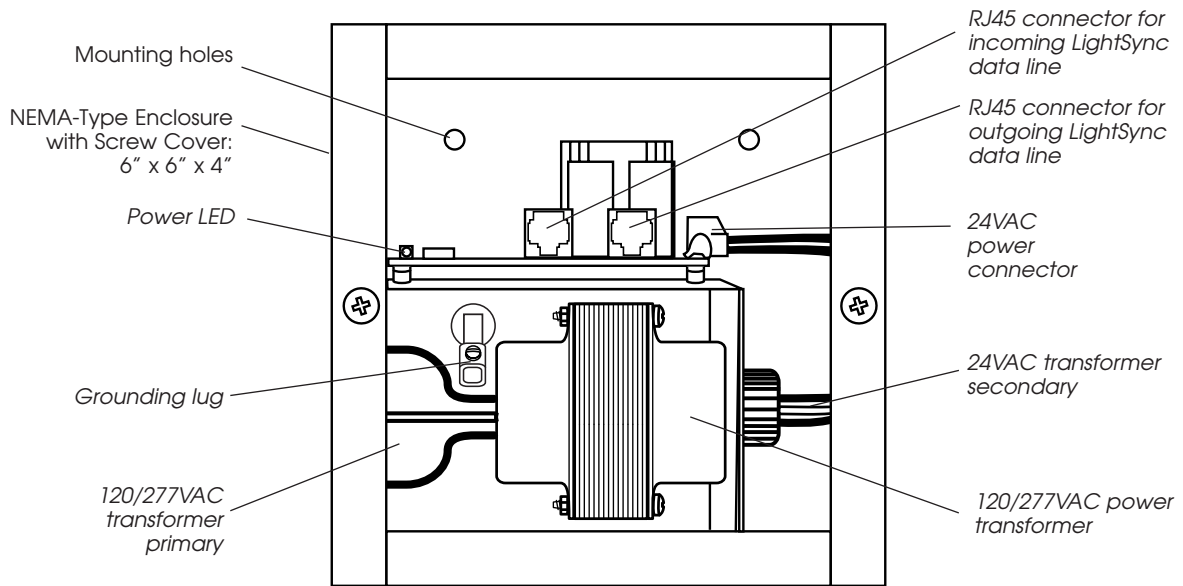


LightSync™ PS Power Supply



LightSync Power Supply (PS)

General Information

- Extends LightSync data line network capacity by providing power for up to 20 additional control devices
- No programming required
- Remote mounting in any location
- Internal power source
- UL Listed
- Operates in any position

Characteristics

- Powers up to 20 additional LightSync control devices on LightMaster network run
- CAT-5 connectivity
- No Programming Required

Physical:

- Mounts in relay panel or remotely in standard NEMA-type enclosure (shown above)
- Operates in any position

Electrical:

- 120/277VAC transformer

Capacities:

- Powers up to 20 additional LightSync devices

Operating Environment:

- Location Interior Space
- Operating Temperature 0° to 60° C (32° to 140° F)
- Relative Humidity 10% to 95%
Non-condensing
- Atmosphere Non-explosive,
Non-corrosive
- Vibration Stationary application
NEMA Level A