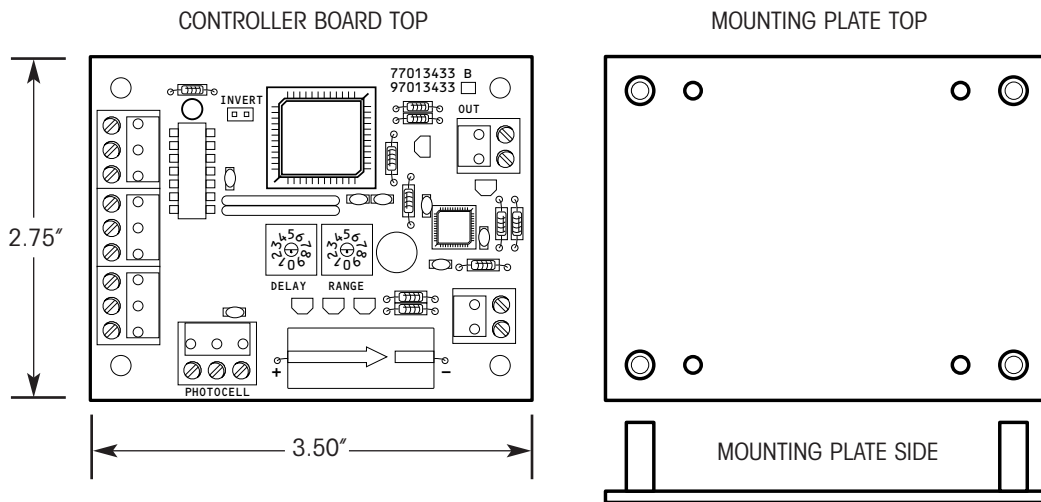


Hardwire Dimmer Photo Sensor Details



General

- Indoor or Outdoor photo sensors
- Eight (8) selectable light level ranges from 0-2FC to 0-1000FC
- 0-10VDC output for controlling dimmable ballasts or other devices
- Eight (8) digital outputs that step at even intervals for driving lighting controller inputs
- Eight (8) selectable delay time light level settings from 2 seconds to 3.5 minutes
- Jumper for setting normal or inverted output

Sensors

- Completely digital sensor accurately measures foot candles
- Indoor and hooded outdoor sensors
- UV resistant
- Sensor can be located up to 5000 feet from controller

Indoor Sensor

- Designed to be mounted to the ceiling tile or other ceiling structure
- UV stabilized

Physical

- Size: 3.5" x 2.75"
- Terminations: push-on connectors
- Adjustments: two (2) rotary switches and one (1) jumper
- Mounting plate for installing in an enclosure
- Mount in lighting panel or remotely

Electrical

- Power Input: 12 VAC @ 200mA
- Digital Output: Open collector 40VDC @ 450mA
- Analog Output: Sink 100mA @ 10VDC

Operating Environment

- Location interior space
- Operating Temperature 0° to 50° C (32° to 112° F)
- Relative Humidity 10% to 90% Non-condensing