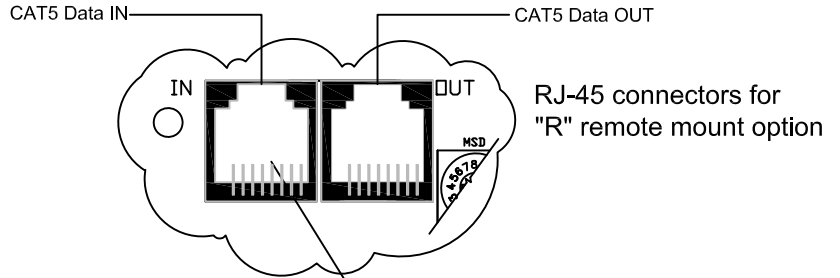
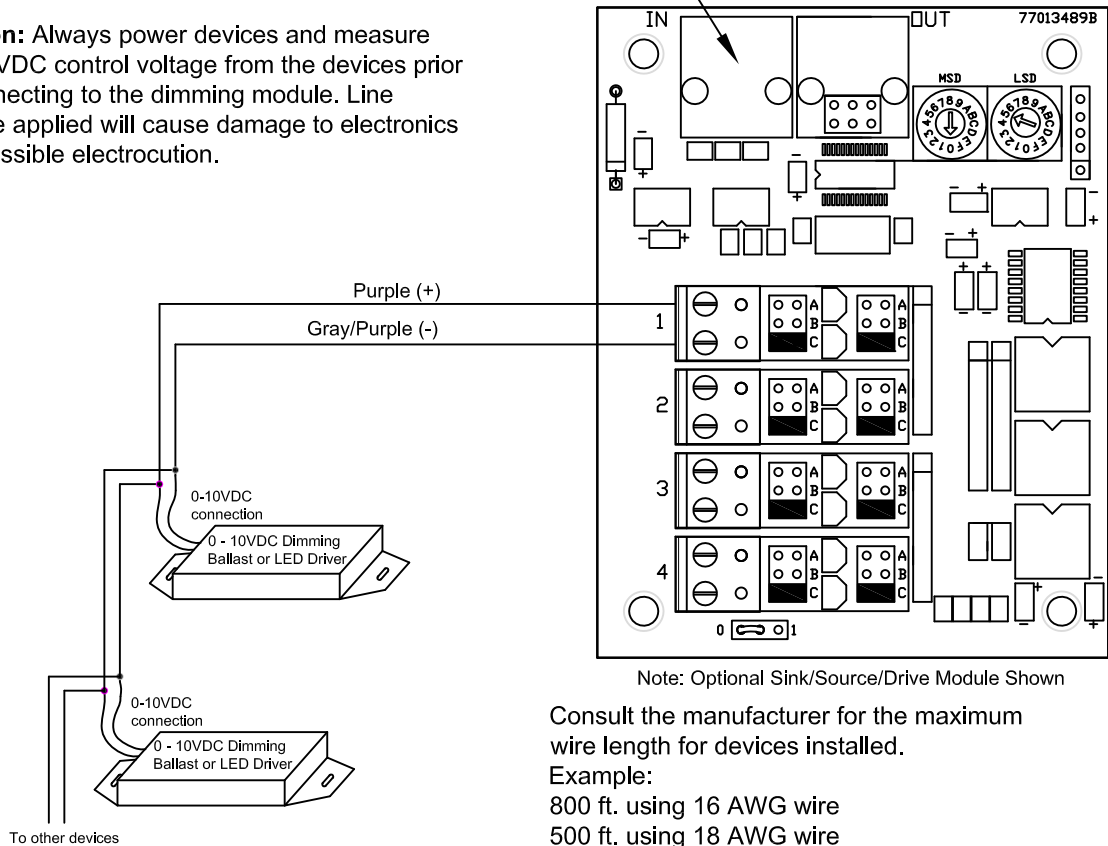


# LightSync Dimming Module Wiring Details



**Caution:** Always power devices and measure the 10VDC control voltage from the devices prior to connecting to the dimming module. Line voltage applied will cause damage to electronics and possible electrocution.



Consult the manufacturer for the maximum wire length for devices installed.

Example:

800 ft. using 16 AWG wire

500 ft. using 18 AWG wire

320 ft. using 20 AWG wire

120 ft. using 24 AWG wire

The LightSync Dimming Module provides 4 independent zones for controlling ballasts, LED drivers or other devices that have 0 - 10VDC control. Each control port can control up to 200 ballasts parallel connected based on a typical current of .5mA each, with a maximum of 100mA per output channel or dimming zone. Consult manufacture for current requirements and recommended wiring practices for class 2 wiring.

**Output Connection:** Parallel connect the 0 - 10VDC control wires from the ballasts, LED or other controlled devices and terminate on the dimming control port using the wiring termination shown above, follow the wire distance limitations provided by the device manufacturer.

**Data Connections:** For the remote module option, connect the LightSync data line to the IN port, then connect the OUT port to the next device.

