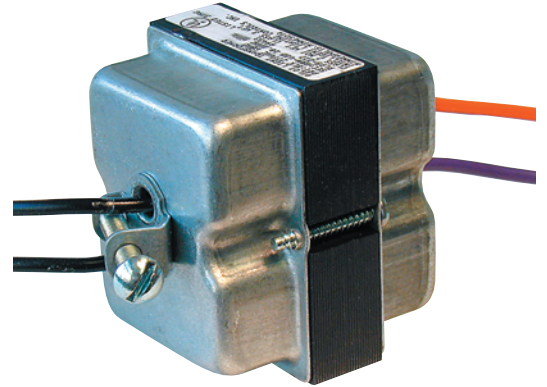




Pilot Light Transformer (PLPS)

Energy-limiting Class 2 Transformer

- Capable of operating up to 40 PCS-PL pilot light switches (with 18 gauge wire, distance between switches less than 1000 ft.)
- Rating – 10 VAC/10VA
- Interchangeable devices mounting configuration
- Color coded (black, purple and orange) leads, 20 AWG, 4 inch minimum

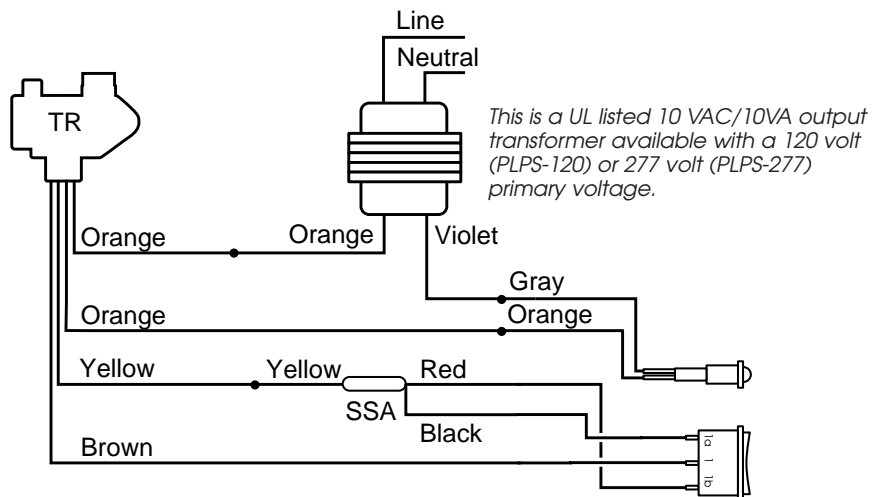


Overview

The ILC Pilot Light Transformer (PLPS) is an energy-limiting Class 2 transformer specifically designed to energize pilot lights through the auxiliary contacts of TR-120A or TR-277A transformer relays.

Features

Application



INTELLIGENT LIGHTING
CONTROLS, INC.

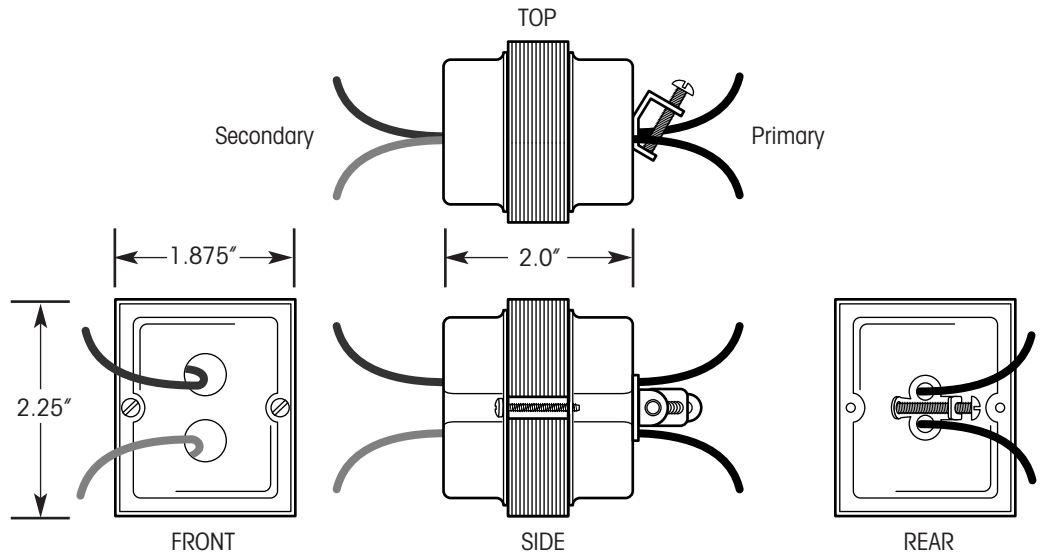
5229 Edina Industrial Boulevard
Minneapolis, Minnesota 55439
Phone 952 829 1900
FAX 952 829 1901
1-800-922-8004
www.ilc-usa.com



Pilot Light Transformer (PLPS)

Energy-limiting Class 2 Transformer

Physical Dimensions



Specifications

Physical:

- Mounts in standard electrical box with 1/2" knockout
- Operates in any position

Electrical:

- 120 or 277 VAC input
- 10 VAC output

Operating Environment:

- Location Interior Space
- Operating Temperature 0° to 50° C (32° to 112° F)
- Relative Humidity 10% to 95%
Non-condensing
- Atmosphere Non-explosive,
Non-corrosive
- Vibration Stationary application
NEMA Level A

Certifications:

- UL

How to Order

Ordering **Pilot Light Transformer**

Order No. PLPS-120 (sample)

PLPS _ _ _ _

Power Supply
(120 or 277)

INTELLIGENT LIGHTING
CONTROLS, INC.

5229 Edina Industrial Boulevard
Minneapolis, Minnesota 55439
Phone 952 829 1900
FAX 952 829 1901
1-800-922-8004
www.ilc-usa.com