



# Key Switch Switch Plates

Standard Low Voltage Switches & Plates

- Secure switching and control
- 1 to 8 Momentary or Maintained keys with or without LED pilot light
- Durable anodized brushed aluminum or stainless steel plate
- Available in standard configurations
- Phenolic or engraved lettering
- Mounts to standard electrical gang boxes.
- Custom options such as special colors or material available upon request



## Overview

Key Switch switch plates provide an extra level of security and limit access to lighting control functions to those who possess the appropriate key. Key Switch control stations can be used in public areas where access to control functions must be limited. NFP Key Switch control station plates and switches can be ordered with either phenolic or engraved labeling to clearly identify the purpose of each switch. With optional LED pilot lights and a choice of colors and materials, Key Switch control station plates and switches provide a secure solution to your low voltage switching requirements.

## Features

### Plates

- Anodized Brushed Aluminum
  - Standard: Natural anodized finish.
  - Optional: Anodized colors available upon request
- Stainless Steel
- Painted
  - Standard white
  - Optional: Additional paint colors available upon request

### Switches

- Key Switch control stations are supplied with heavy-duty Single pole double throw (SPDT), Momentary or Maintained Key Switches

### Switch Identification

- Phenolic labels: Lettering is engraved into phenolic material attached to plate surface
- Engraved: Lettering is engraved directly into plate surface

### LED Pilot Lights

- LED pilot lights give a visual confirmation of current control status. LED ON indicates controlled circuit is ON; LED OFF indicates controlled circuit is OFF
- Each switch may be provided with a solid state LED pilot light
- Colors: Green or Red

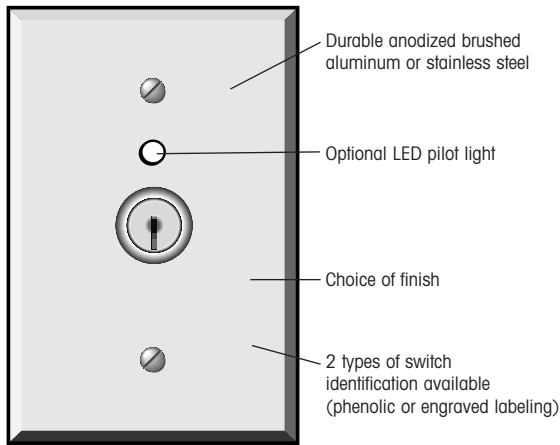
INTELLIGENT LIGHTING  
CONTROLS, INC.

5229 Edina Industrial Boulevard  
Minneapolis, Minnesota 55439  
Phone 952 829 1900  
FAX 952 829 1901  
1-800-922-8004  
www.ilc-usa.com

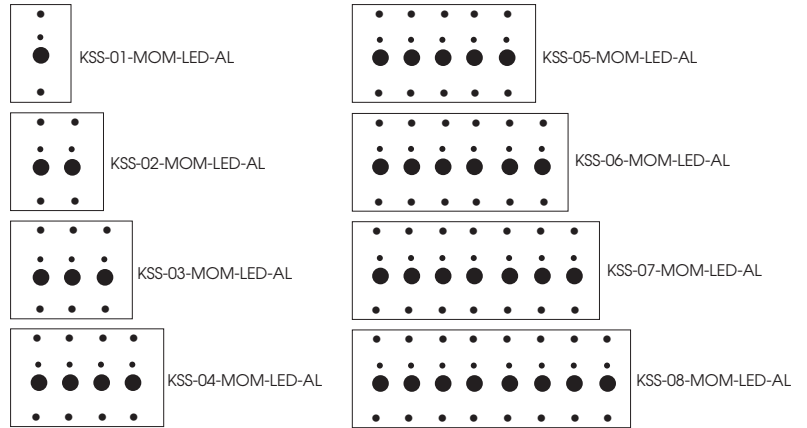


# Key Switch Switch Plates

Standard Low Voltage Switches & Plates



## KEY SWITCH STANDARD CONFIGURATIONS



## Specifications

### Physical:

- Plate material:
  - Aluminum
  - Stainless Steel
  - Painted
- Mounts in standard one gang switch box spacing
- Mounting screws provided
- Switch Identification:
  - Engraved (standard)
  - Phenolic Labels (optional)

### Electrical:

- Switch plates provided with momentary or maintained key switches for ON/OFF operation
- Single pole double throw (SPDT), momentary or maintained

### Operating Environment:

- Location Interior space
- Operating Temperature 0° to 50° C (32° to 112° F)
- Relative Humidity 10% to 95%  
Non-condensing
- Atmosphere Non-explosive,  
Non-corrosive
- Vibration Stationary application  
NEMA Level A

INTELLIGENT LIGHTING  
CONTROLS, INC.

5229 Edina Industrial Boulevard  
Minneapolis, Minnesota 55439  
Phone 952 829 1900  
FAX 952 829 1901  
1-800-922-8004  
www.ilc-usa.com

### How to Order

Ordering an **Key Switch** Switch Station  
Order No. KSS-02-MOM-NA-SS (sample)

**KSS** - - - - -

Gang Size  
(1 to 8 Standard)  
Key Switch Type  
(MOM= Momentary  
MNT= Maintained)  
LED Pilot  
Light (LED or NA)  
Plate  
(AL= Aluminum  
SS= Stainless Steel)  
PT= Painted