



Master Control Switch (NFP MCS)

- Up to 8 Switches and LED pilot light on a single 2-gang plate
- Plate available in durable anodized brushed aluminum, stainless steel or painted white
- 1 to 8 Momentary center OFF rocker switches with or without LED pilot
- Available in 12 standard configurations
- Phenolic or engraved lettering (optional)
- Mounts to standard electrical gang boxes
- Switch available in black, white, or gray
- Custom options such as special colors or material available upon request



shown with Optional Pilot Light Assembly

Overview

The ILC NFP MCS Switch is a single pole double throw (SPDT), momentary contact, normally open NFP switch that mounts in a standard junction box.

Features

Application

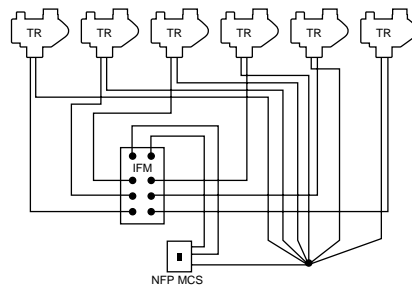


Figure A



Figure B

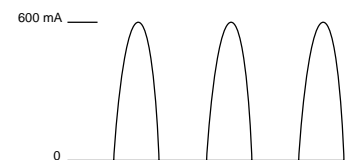
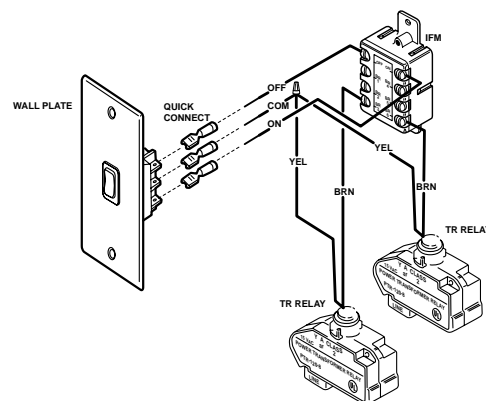


Figure C



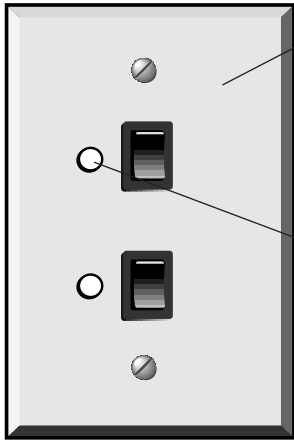
The NFP Master Control Switch (NFP MCS) is designed to switch the TRs connected to the IFM. The three wire switch is connected to the IFM with the red wire to the ON terminal, the black wire to the OFF terminal and the yellow wire to the system common yellow. The NFP MCS was designed with a 3 Amp current rating because it must carry the switching current of all the TRs interfaced under one master. The number of TRs that can be controlled from an MCS depends on the mixture of phase driving the mastered TRs. Figure A shows the half-wave, 200 mA current that a PCS must conduct. If three TRs on the same phase are connected to an IFM, the currents will add as shown in Figure B. If the same three TRs were powered by three different phases, the currents in the MCS control loop would sum up as in Figure C.

INTELLIGENT LIGHTING
CONTROLS, INC.

5229 Edina Industrial Boulevard
Minneapolis, Minnesota 55439
Phone 952 829 1900
FAX 952 829 1901
1-800-922-8004
www.ilc-usa.com



Master Control Switch (NFP MCS)



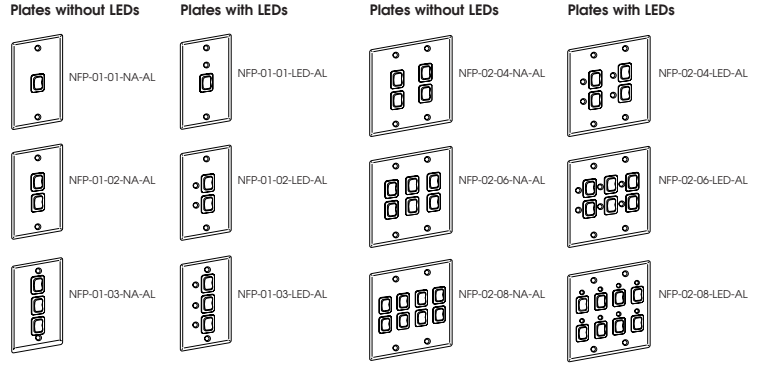
Durable anodized brushed aluminum, stainless steel or painted white

Choice of finish

Optional LED pilot lights

Optional switch identification available (phenolic or engraved labeling)

NFP SERIES STANDARD CONFIGURATIONS



Other Configurations Available on Request

Specifications

Physical:

- Plate material:
 - Aluminum
 - Stainless Steel
 - Painted White
- Mounts to standard electrical 1 or 2 gang switch box
- Mounting screws provided
- Switch size: 9/16 x 13/16
- Switch colors:
 - White
 - Black (standard)
- Switch Identification (optional):
 - Phenolic Labels
 - Engraved

Electrical:

- Switch plates provided with center OFF momentary rocker switch for ON/OFF operation.
- Single pole double throw (SPDT), momentary
- Quiet "click" provides both tactile and sound feedback when actuated

Operating Environment:

- Location: Interior space
- Operating Temperature: 0° to 50° C (32° to 112° F)
- Relative Humidity: 10% to 95%
- Atmosphere: Non-condensing, Non-explosive, Non-corrosive
- Vibration: Stationary application, NEMA Level A

INTELLIGENT LIGHTING CONTROLS, INC.

5229 Edina Industrial Boulevard
 Minneapolis, Minnesota 55439
 Phone 952 829 1900
 FAX 952 829 1901
 1-800-922-8004
 www.ilc-usa.com

How to Order

Ordering an **NFPMCS Series** Switch Plate
 Order No. NFPMCS-02-04-LED-PW (sample)

NFPMCS - - - - -

Gang Size (1 or 2 Standard)
 Required Switches (1 - 6 Standard)
 LED Pilot (LED or NA)
 Plate (SS= Stainless Steel, PI= Painted Ivory, PW= Painted White)

Custom configurations are available - consult factory for custom switch plate options