



# NFP Series Switch Plates

Standard Low Voltage Switches & Plates

- Up to 8 Switches and LED pilot light on a single 2-gang plate
- Plate available in durable anodized brushed aluminum, stainless steel or painted white
- 1 to 8 Momentary center OFF rocker switches with or without LED pilot
- Available in 12 standard configurations
- Phenolic or engraved lettering (optional)
- Mounts to standard electrical gang boxes
- Switch available in black, white, or gray
- Custom options such as special colors or material available upon request



Shown with optional LED

## Overview

NFP series switch plates are an attractive space-saving alternative to standard electrical wall switches. In addition to taking up less space than conventional wall switches (up to 8 switches on a 2-gang plate), NFP plates and switches can be ordered with either phenolic or engraved labeling to clearly identify the purpose of each switch. With optional LED pilot lights and a choice of colors and materials, NFP plates and switches provide an economical solution to many low voltage switching requirements.

## Features

### Plates

- Anodized Brushed Aluminum
  - Standard: Natural anodized finish
  - Optional: Anodized colors available upon request
- Stainless Steel
- Painted
  - Standard white
  - Optional: Additional paint colors available upon request

### Switches

- NFP switch plates are supplied with heavy-duty Single pole double throw (SPDT), Momentary center OFF rocker switches
- Each switch is designed to provide a tactile feel and click to confirm to the user that the switch has been depressed
- Switch size: 9/16 x 13/16
- Colors: Black, White, or Gray

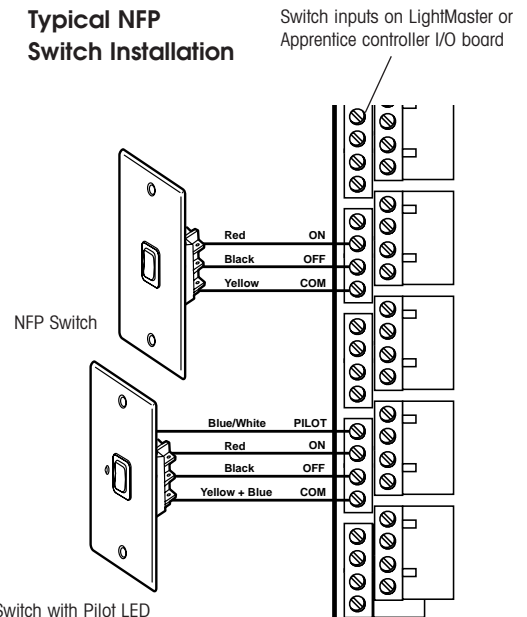
### Switch Identification

- Phenolic labels: Lettering is engraved into phenolic material attached to plate surface.
- Engraved: Lettering is engraved directly into plate surface.

### LED Pilot Lights

- LED pilot lights give a visual confirmation of current control status. LED ON indicates controlled circuit is ON; LED OFF indicates controlled circuit is OFF.
- Each switch may be provided with a solid state LED pilot light
- Colors: Green or Red

### Typical NFP Switch Installation



FOR USE IN  
SA SN EN  
LIGHTMASTER NETWORKS

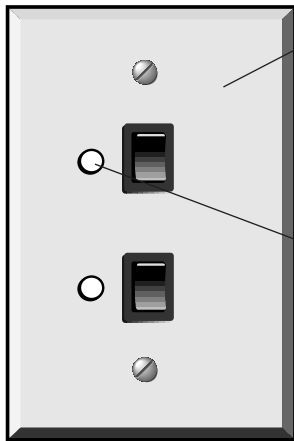
INTELLIGENT LIGHTING  
CONTROLS, INC.

5229 Edina Industrial Boulevard  
Minneapolis, Minnesota 55439  
Phone 952 829 1900  
FAX 952 829 1901  
1-800-922-8004  
www.ilc-usa.com



# NFP Series Switch Plates

Standard Low Voltage Switches & Plates



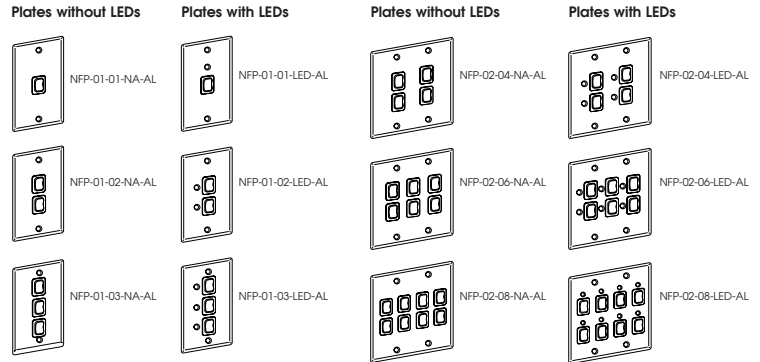
Durable anodized brushed aluminum, stainless steel or painted white

Choice of finish

Optional LED pilot lights

Optional switch identification available (phenolic or engraved labeling)

## NFP SERIES STANDARD CONFIGURATIONS



Other Configurations Available on Request

## Specifications

### Physical:

- Plate material:
  - Aluminum
  - Stainless Steel
  - Painted White
- Mounts to standard electrical 1 or 2 gang switch box
- Mounting screws provided
- Switch size: 9/16 x 13/16
- Switch colors:
  - White
  - Black (standard)
- Switch Identification (optional):
  - Phenolic Labels
  - Engraved

### Electrical:

- Switch plates provided with center OFF momentary rocker switch for ON/OFF operation.
- Single pole double throw (SPDT), momentary
- Quiet "click" provides both tactile and sound feedback when actuated

### Operating Environment:

- Location Interior space
- Operating Temperature 0° to 50° C (32° to 112° F)
- Relative Humidity 10% to 95%
- Atmosphere Non-condensing, Non-corrosive
- Vibration Stationary application NEMA Level A

INTELLIGENT LIGHTING CONTROLS, INC.

5229 Edina Industrial Boulevard  
 Minneapolis, Minnesota 55439  
 Phone 952 829 1900  
 FAX 952 829 1901  
 1-800-922-8004  
 www.ilc-usa.com

### How to Order

Ordering an **NFP Series** Switch Plate  
 Order No. NFP-02-04 (sample)

**NFP** - - - - -  
 Gang Size (1 or 2 Standard)  
 Required Switches (1 - 8 Standard)  
 LED Pilot (LED or NA)  
 Plate (AL= Aluminum, SS= Stainless Steel, PW= Painted White)

Custom configurations are available - consult factory for custom switch plate options