



# Positive Control Switch (NFP PCS)

NFP Momentary Contact Switch Input

- Up to 8 Switches and LED pilot light on a single 2-gang plate
- Plate available in durable anodized brushed aluminum, stainless steel or painted white
- 1 to 8 Momentary center OFF rocker switches with or without LED pilot
- Available in 12 standard configurations
- Phenolic or engraved lettering (optional)
- Mounts to standard electrical gang boxes
- Switch available in black, white, or gray
- Custom options such as special colors or material available upon request



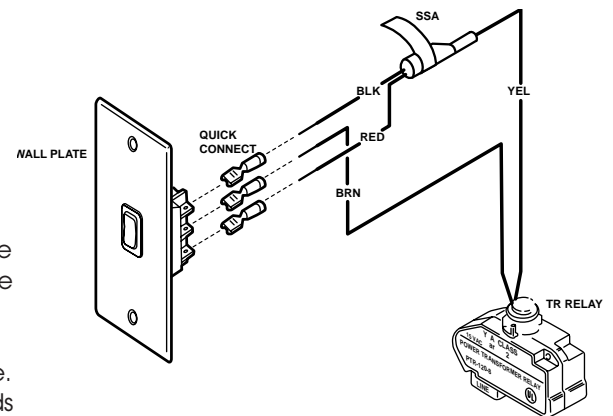
shown with Optional Pilot Light Assembly

## Overview

The ILC NFP Positive Control Switch (NFP PCS) is a standard NFP SPDT momentary switch with a Standard Switch Adapter (SSA) for controlling a single Transformer Relay (TR). Any momentary SPDT with the use of a SSA can control a TR by directing the current flow in the appropriate direction. When toggled to "ON", the appropriate current flow direction is allowed and the TR responds accordingly. If the TR is "OFF", it will change states. If the TR is already "ON", it will remain in that state. Because the Transformer Relay responds to a momentary current flow, any number of NFP PCS can be wired in parallel and provide independent control. The optional ILC LED Pilot Light Assembly (ILC LED) is a pilot light that indicates the associated TR status, open or closed, when interconnected to the auxiliary contacts and/or an independent pilot light power supply.

## Features

The ILC NFP Positive Control Switch (NFP PCS) is a standard NFP SPDT momentary switch with a Standard Switch Adapter (SSA) for controlling a single Transformer Relay (TR). Any momentary SPDT with the use of a SSA can control a TR by directing the current flow in the appropriate direction. When toggled to "ON", the appropriate current flow direction is allowed and the TR responds accordingly. If the TR is "OFF", it will change states. If the TR is already "ON", it will remain in that state. Because the Transformer Relay responds to a momentary current flow, any number of NFP PCS can be wired in parallel and provide independent control.



The LED pilot light can be powered by two methods as shown. When only one ILC LED Assembly is used with a TR and the distance between them is less than 40 feet, the TR can be used to power the LED. When two or more ILC LED Assemblies are being used, it is necessary to use a Pilot Light Power Supply (PLPS). The capacity of the PLPS can be maximized by alternating the polarity of the pilot light during installation (the orange and gray leads indicate the LED polarity). In this manner, the PLPS can power a maximum of 80 ILC LED Assemblies.

Figure A

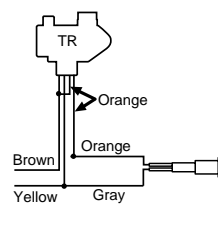
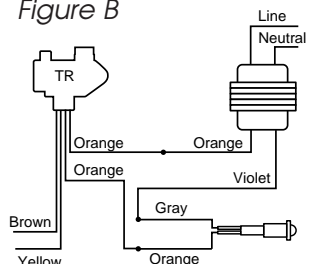


Figure B



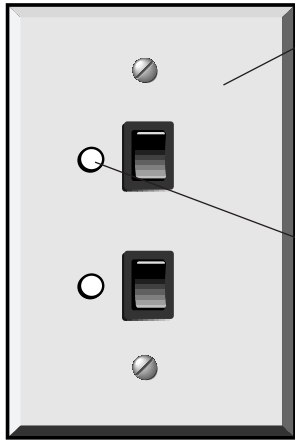
## INTELLIGENT LIGHTING CONTROLS, INC.

5229 Edina Industrial Boulevard  
 Minneapolis, Minnesota 55439  
 Phone 952 829 1900  
 FAX 952 829 1901  
 1-800-922-8004  
 www.ilc-usa.com



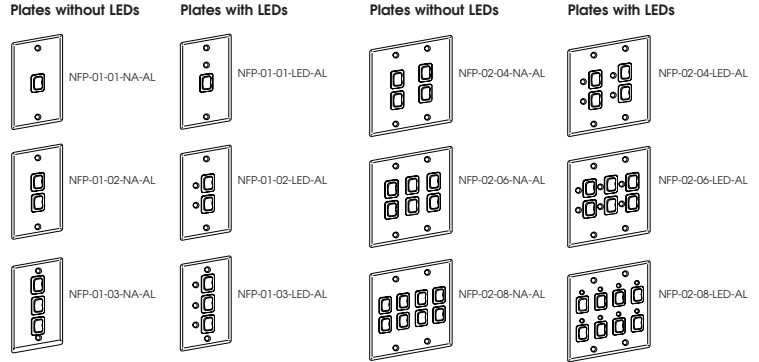
# Positive Control Switch (NFP PCS)

NFP Momentary Contact Switch Input



Durable anodized brushed aluminum, stainless steel or painted white  
 Choice of finish  
 Optional LED pilot lights  
 Optional switch identification available (phenolic or engraved labeling)

## NFP SERIES STANDARD CONFIGURATIONS



Other Configurations Available on Request

## Specifications

### Physical:

- Plate material:
  - Aluminum
  - Stainless Steel
  - Painted White
- Mounts to standard electrical 1 or 2 gang switch box
- Mounting screws provided
- Switch size: 9/16 x 13/16
- Switch colors:
  - White
  - Black (standard)
- Switch Identification (optional):
  - Phenolic Labels
  - Engraved

### Electrical:

- Switch plates provided with center OFF momentary rocker switch for ON/OFF operation.
- Single pole double throw (SPDT), momentary
- Quiet "click" provides both tactile and sound feedback when actuated

### Operating Environment:

- Location Interior space
- Operating Temperature 0° to 50° C (32° to 112° F)
- Relative Humidity 10% to 95%
- Atmosphere Non-condensing, Non-corrosive
- Vibration Stationary application NEMA Level A

INTELLIGENT LIGHTING CONTROLS, INC.

5229 Edina Industrial Boulevard  
 Minneapolis, Minnesota 55439  
 Phone 952 829 1900  
 FAX 952 829 1901  
 1-800-922-8004  
 www.ilc-usa.com

### How to Order

Ordering an **NFPPCS Series** Switch Plate  
 Order No. NFPPCS-02-04-LED-PW (sample)

**NFPPCS** - - - - -

Gang Size (1 or 2-Standard)  
 Required Switches (1 - 6 standard)  
 LED Pilot (LED or NA)  
 Plate (SS= Stainless Steel, PI= Painted Ivory, PW= Painted White)

Custom configurations are available – consult factory for custom switch plate options