



# LIGHT Sync™ PSR

Power Supply  
and Data Repeater

- Extends both power and data to the CAT-5 network cable run feeding LightSync devices
- Allows splitting LightSync data line ("T" operation)
- Data repeater function extends LightSync network data run length by 3000 feet (combined length of both PSR output runs)
- Extends LightSync network device capacity by providing power for up to 20 additional LightSync devices
- No programming required
- Remote mounting
- NEMA-1 enclosure with 120/277 VAC transformer



## Overview

The LightSync Power Supply Repeater operates on the LightSync data line and is both a power supply and data repeater. Its primary purpose is to repeat data (3000 feet combined end to end per each of 2 ports) and provide a bridge to another data line. This device has one incoming and two outgoing RJ45 ports, enabling the data line to be split into two different directions. The PSR will also power up to 20 LightSync devices for an additional 3000 cumulative feet.

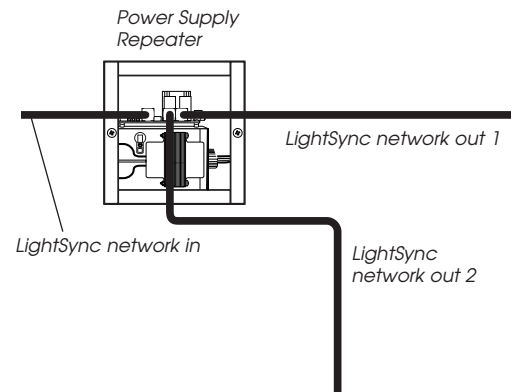
## Features

### General Information

- UL Listed
- Mounts in standard NEMA enclosure
- Operates in any position

### Characteristics

- Adds power for up to 20 additional LightSync control devices to LightSync network run an additional 3000 cumulative feet
- CAT-5 connectivity
- Extend network data length by 3000 feet combined output (2) end to end
- Allows "T" splitting of CAT-5 cable path
- No Programming Required



Standard 24 gauge CAT-5 Cable throughout



INTELLIGENT LIGHTING  
CONTROLS, INC.

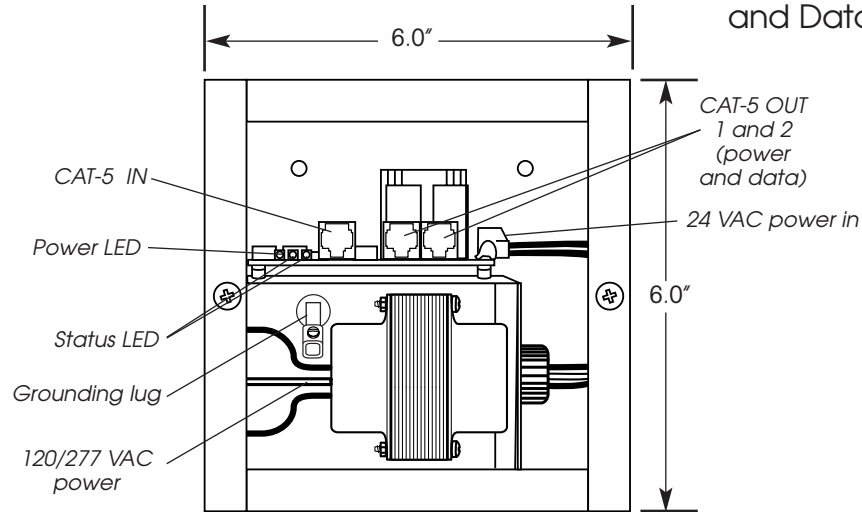
5229 Edina Industrial Boulevard  
Minneapolis, Minnesota 55439  
Phone 952 829 1900  
FAX 952 829 1901  
1-800-922-8004  
www.ilc-usa.com



# LIGHT Sync™ PSR

Power Supply  
and Data Repeater

## Physical



## Specifications

### Physical:

- Mounted in 6" x 6" x 4" standard NEMA-1 enclosure
- Operates in any position

### Electrical:

- 120/277 VAC transformer

### Capacities:

- Powers up to 20 additional LightSync devices 3000 feet cumulative
- Extends network data cable run 3000 feet across the combined (2) outputs
- Refer to ILC Technical Bulletin #TB 1408 for LightSync cable run distance detail

### Operating Environment:

- Location Interior Space
- Operating Temperature 0° to 50° C (32° to 112° F)
- Relative Humidity 10% to 95% Non-condensing
- Atmosphere Non-explosive, Non-corrosive
- Vibration Stationary application NEMA Level A

### Certifications:

- UL & ULC Certifications

### How to Order

Ordering a **LightSync Power Supply Repeater**  
Order No. PSR  
**PSR**

INTELLIGENT LIGHTING  
CONTROLS, INC.

5229 Edina Industrial Boulevard  
Minneapolis, Minnesota 55439  
Phone 952 829 1900  
FAX 952 829 1901  
1-800-922-8004  
www.ilc-usa.com