



- Extends power ONLY to the CAT-5 network cable run feeding LightSync devices, acts as a pass-through for data
- Extends LightSync network device capacity by providing power for up to 20 additional LightSync devices
- No programming required
- Remote mounting
- NEMA-1 enclosure with 120/277 VAC transformer

**NOTE:** The LightSync Power Supply provides power **ONLY** to a network expansion and **DOES NOT** repeat data. To extend the data network beyond 3000 cumulative feet, a LightSync Power Supply Repeater is required. See PSR page.



## Overview

The LightSync Power Supply operates on the LightSync data line and extends power only to up to 20 additional LightSync devices. This device has one incoming and one outgoing RJ45 port and is the most efficient option to compensate for voltage drop from multiple LightSync devices on the data line. The PS will power up to 20 LightSync devices for an additional 3000 cumulative feet. Note that a PS provides power only and does not affect data.

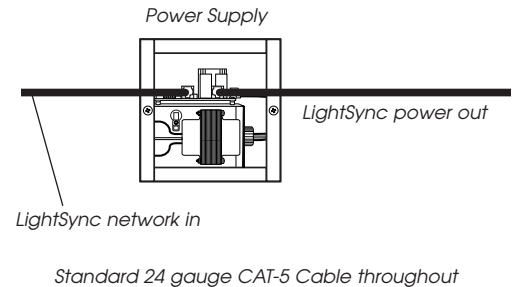
## Features

### General Information

- UL Listed
- Mounted in standard NEMA enclosure
- Operates in any position

### Characteristics

- Adds power for up to 20 additional LightSync control devices in the LightSync network run
- CAT-5 connectivity
- No Programming Required



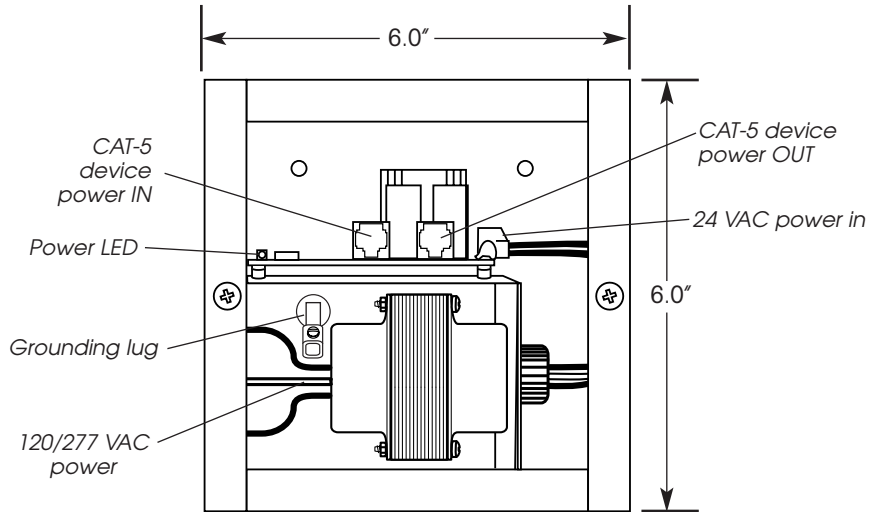
FOR USE IN  
SA SN EN  
LIGHTMASTER NETWORKS

INTELLIGENT LIGHTING  
CONTROLS, INC.

5229 Edina Industrial Boulevard  
Minneapolis, Minnesota 55439  
Phone 952 829 1900  
FAX 952 829 1901  
1-800-922-8004  
www.ilc-usa.com



Physical



Specifications

Physical:

- Mounted in 6" x 6" x 4" standard NEMA-1 enclosure
- Operates in any position

Electrical:

- 120/277 VAC transformer

Capacities:

- Powers up to 20 additional LightSync devices an additional 3000 cumulative feet
- Refer to ILC Technical Bulletin #TB 1408 for LightSync cable run distance detail

Operating Environment:

- Location Interior Space
- Operating Temperature 0° to 50° C (32° to 112° F)
- Relative Humidity 10% to 95% Non-condensing
- Atmosphere Non-explosive, Non-corrosive
- Vibration Stationary application NEMA Level A

Certifications:

- UL & ULC Certifications

How to Order

Ordering a **LightSync Power Supply**

Order No. PS (sample)

**PS**

INTELLIGENT LIGHTING  
CONTROLS, INC.

5229 Edina Industrial Boulevard  
Minneapolis, Minnesota 55439  
Phone 952 829 1900  
FAX 952 829 1901  
1-800-922-8004  
www.ilc-usa.com