



LIGHTSync™ Disable Key Switch

Intelligent Switch Control

- Disables LightSync devices
- Secure switching and control
- Maintained key switch with LED pilot light
- Durable painted aluminum or stainless steel plate
- Available in standard configurations
- Engraved lettering
- Mounts to standard electrical gang boxes.
- Custom options such as special colors or material available upon request
- Connects to LightSync data line using RJ45 connectors



Overview

Key Switch switch plates provide an extra level of security and limit access LightSync device control functions to those who possess the appropriate key. Key Switch control stations can be used in public areas where access to control functions must be limited. Key Switch control station plates and switches can be ordered with engraved labeling to clearly identify the purpose of each switch. With LED pilot light and a choice of colors and materials, Key Switch control station plates and switches provide a secure solution to your low voltage switching requirements.

Features

Switches

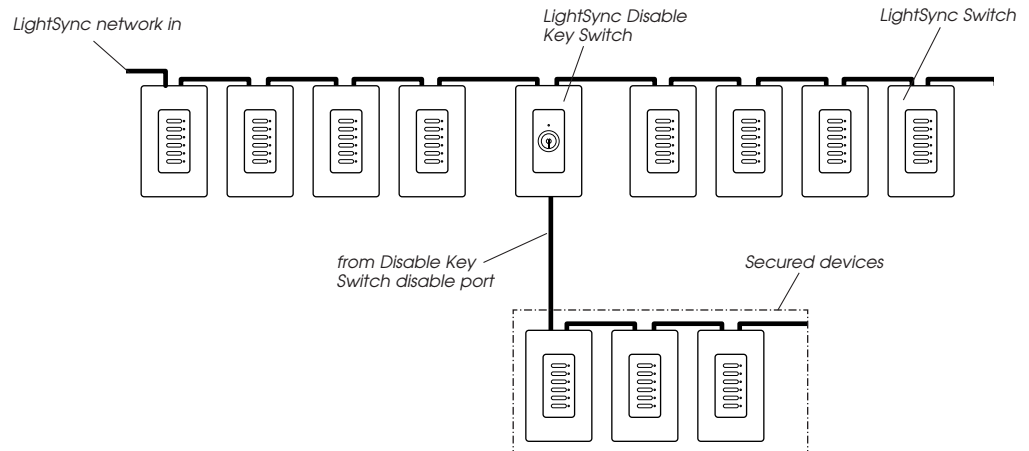
- Key Switch control stations are supplied with heavy-duty Single Pole Single Throw (SPST), Maintained Key Switches

Switch Identification

- Engraved: Lettering is engraved directly into plate surface

LED Pilot Light

- LED pilot light gives true visual confirmation of disabled switches



FOR USE IN
SA SN EN
LIGHTMASTER NETWORKS

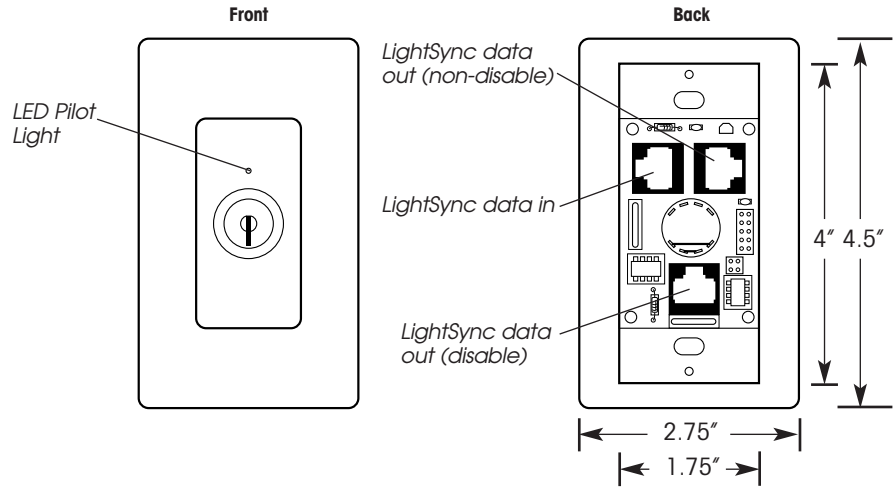
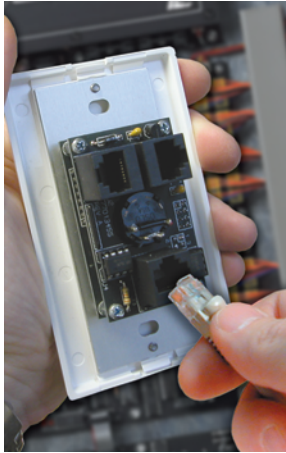
INTELLIGENT LIGHTING
CONTROLS, INC.

5229 Edina Industrial Boulevard
Minneapolis, Minnesota 55439
Phone 952 829 1900
FAX 952 829 1901
1-800-922-8004
www.ilc-usa.com



LIGHT Sync™ Disable Key Switch

Intelligent Switch Control



Specifications

Physical:

- Plate material:
 - Lexan®
 - Stainless Steel
 - Painted steel/visible screws
- Mounts in standard one gang box spacing
- Mounting screws provided
- Switch colors:
 - Ivory
 - White
 - Black
 - Gray
 - Stainless Steel
- Switch Identification:
 - Optional engraved (10 char. max.)

Electrical:

- Switch plates provided with with maintained key switches for DISABLE/ENABLE operation

- Single Pole Double Throw (SPST), Maintained Key Switches
- Powered from LightSync data line

Operating Environment:

- Location Interior space
- Operating Temperature 0° to 50° C (32° to 112° F)
- Relative Humidity 105 to 95% Non-condensing
- Atmosphere Non-explosive, Non-corrosive
- Vibration Stationary application NEMA Level A

How to Order

Ordering a **LightSync Disable Key Switch**

Order No. LSD-KS-IV (Sample)

LSD - KS - _____

Key Switch (KS)
 Insert Color: Ivory (IV)
 White (WH), Black (BL),
 Gray (GY) or Stainless
 Steel (SS)

Ordering a **LightSync Plate**

Order No. LS-PL-S-IV-3 (Sample)

LS _____

LightSync
 Switch Plate (PL)
 Plate Cover:
 Plain (P), screws (S)
 Insert Color: Ivory (IV)
 White (WH), Black (BL),
 Gray (GY) or Stainless
 Steel (SS) Number of
 Gangs (1 to 4)

INTELLIGENT LIGHTING
CONTROLS, INC.

5229 Edina Industrial Boulevard
 Minneapolis, Minnesota 55439
 Phone 952 829 1900
 FAX 952 829 1901
 1-800-922-8004
 www.ilc-usa.com