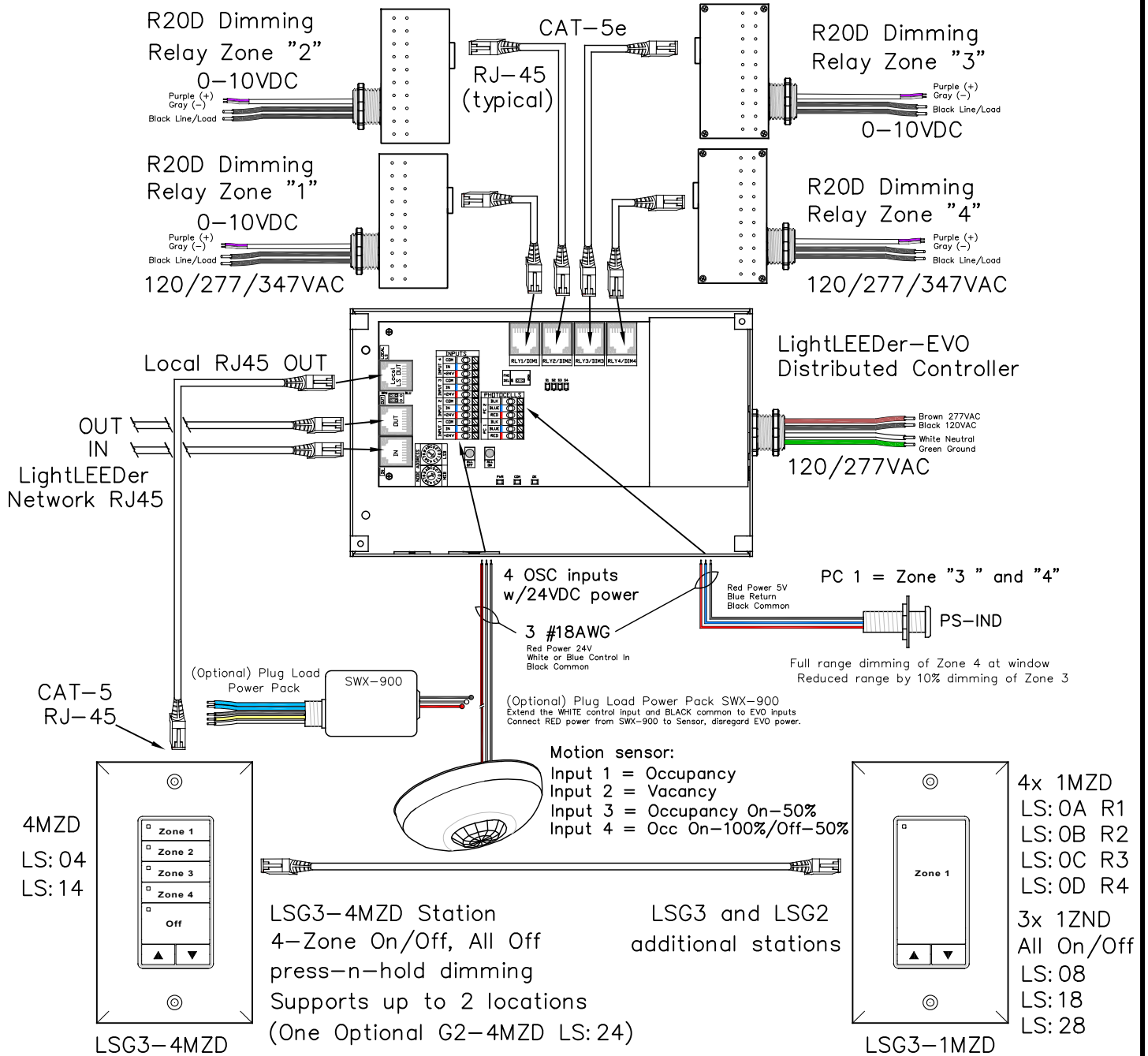


(F2) LL-EVO 1-Room, 4-Zone, 2-Daylight Zone



LightLEEDer EVO panel used for controlling 1 room with 4 zones, remotely mounted R20D relays, for Open Office spaces.

Two daylight zones w/independent zone settings, motion sensor inputs for Occupancy/Vacancy/Occ-ON 50% and Occ-On 100%/Unoccupied-50%.

Optional plug-load relay, LightSync digital Multi-Zone Dimmer stations, press-n-hold dimming. Supports power for 1 to 8 LightSync input devices.



5229 Edina Industrial Blvd.
Minneapolis, MN 55439
952.829.1900 | ilc-usa.com

Project:

(F2) LL-EVO Lighting Application Sheet
1-Room, 4-Zone, 2-Daylight Zone
LightLEEDer EVO Distributed Controller

SHEET INFORMATION

DATE: 4-20-2020

SCALE: NONE

DRAWN BY: JM

GO#

Sheet:

F2-EVO

Rev: C