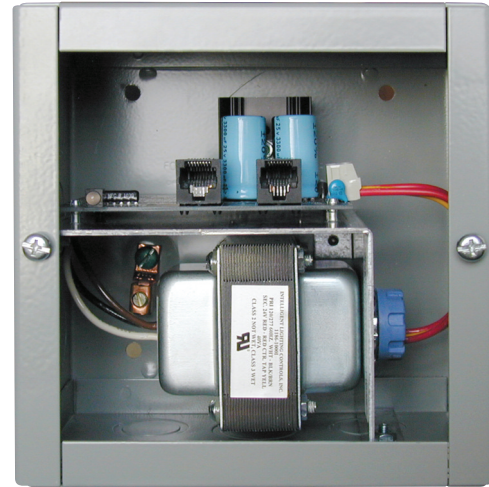


## Apprentice 3

## LightSync Power Supply Repeater

## Overview

The LightSync Digital Power Supply Repeater operates on the LightSync data line and is both a power supply and data repeater. Its primary purpose is to repeat data (3000 feet combined end to end per each of 2 ports) and provide a bridge to another data line run. This device has one incoming and two outgoing RJ45 ports, enabling the data line to be split into two different directions. The PSR will also power up to 20 LightSync devices for an additional 3000 cumulative feet.



## Features

- Made in the USA
- Digital CAT 5 ready

### General Information

- UL Listed
- Mounted in standard NEMA enclosure
- Operates in any position

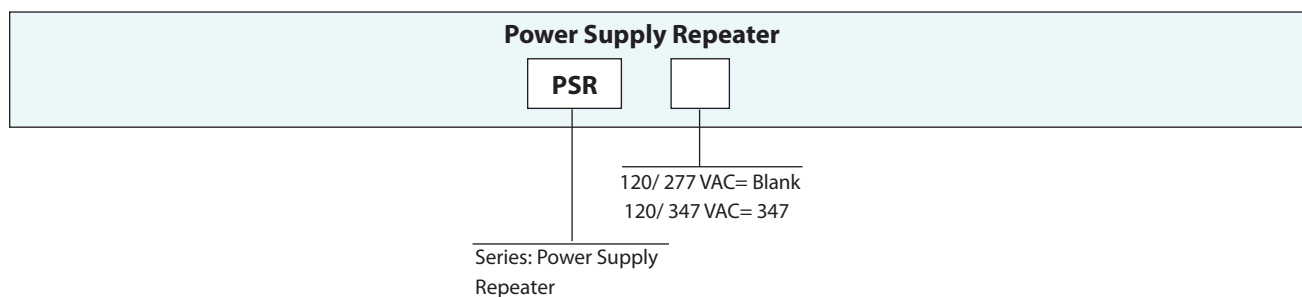
### Characteristics

- Adds power for up to 20 additional LightSync control devices to LightSync network run an additional 3000 cumulative feet
- CAT-5 connectivity
- Extend network data length by 3000 feet combined output (2) end to end
- Allows “T” splitting of CAT-5 cable path
- No Programming Required

## Warranty

One year limited warranty

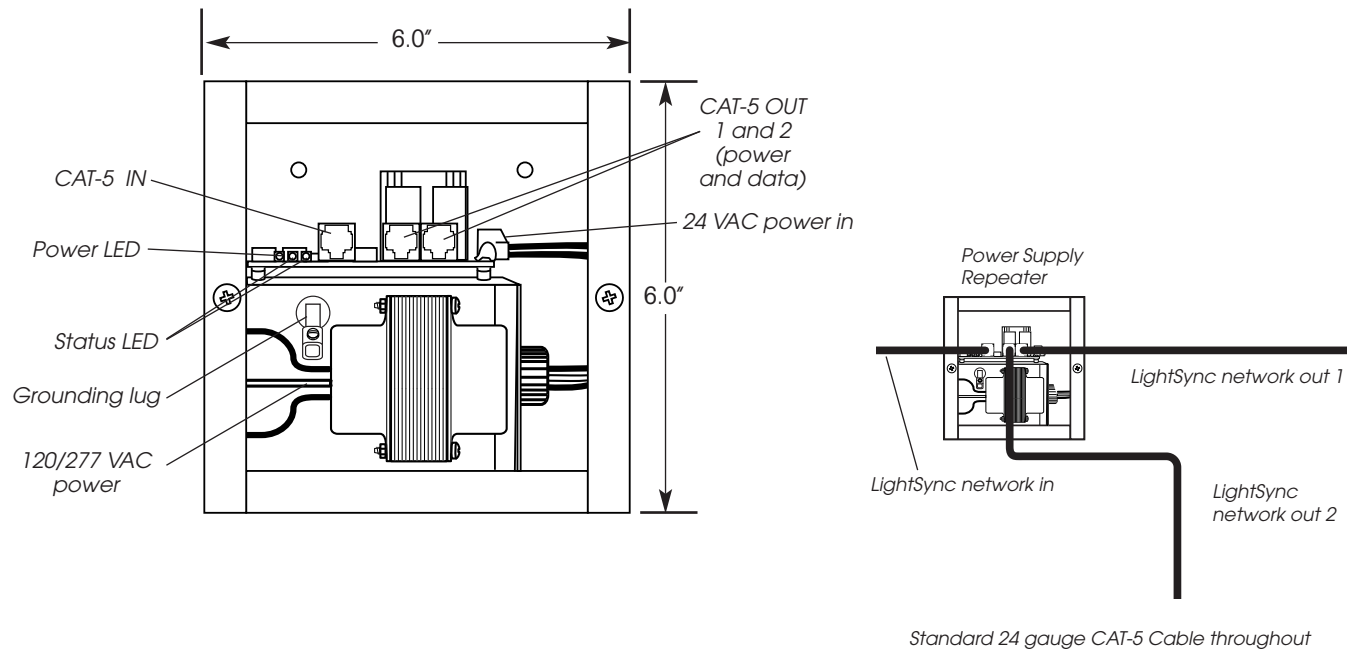
## Ordering



## Apprentice 3

## LightSync Power Supply Repeater

## Physical



## Specifications

**Physical:**

- Mounted in 6" x 6" x 4" standard NEMA-1 enclosure
- Operates in any position

**Electrical:**

- 120/277 VAC transformer
- Optional 120/347 VAC

**Capacities:**

- Powers up to 20 additional LightSync devices an additional 3000 cumulative feet
- Refer to ILC Technical Bulletin #TB 1408 for LightSync cable run distance detail

**Operating Environment:**

- Location Interior Space
- Operating Temperature 0° to 50° C (32° to 112° F)
- Relative Humidity 10% to 95%
- Atmosphere Non-condensing, Non-explosive, Non-corrosive
- Vibration Stationary application, NEMA Level A

**Certifications:**

- UL CUL