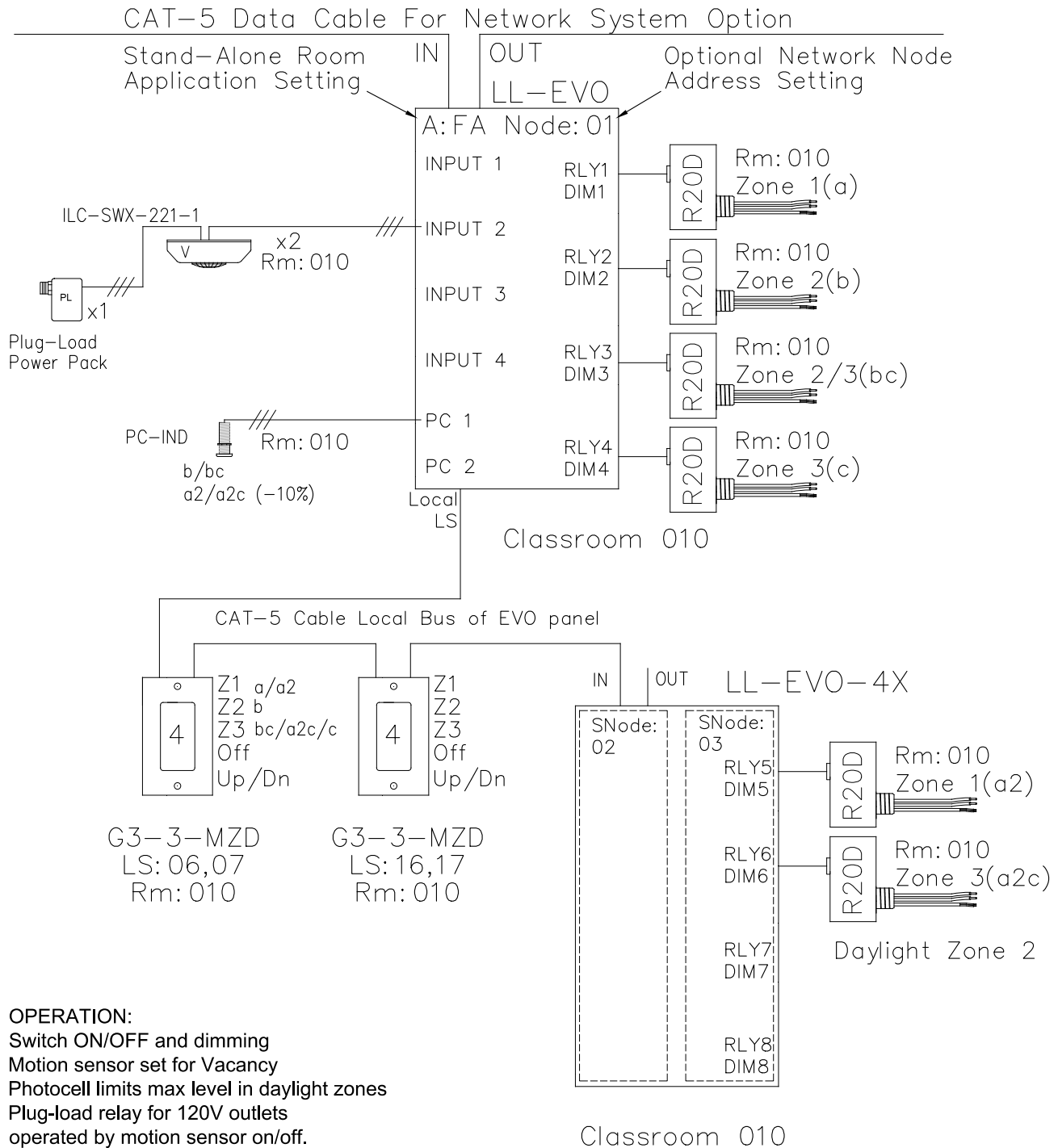


CLASSROOM

CA TITLE 24 2019 DESIGN GUIDE

4/6 ZONE RISER DIAGRAM



5229 Edina Industrial Blvd.
 Minneapolis, MN 55439
 952.829.1900 | ilc-usa.com

XX				Project:	CLASSROOM CA TITLE 24 2019 4/6 Zone RISER	Title:
NUMBER	REVISIONS	DATE	SHEET INFORMATION			
A	Code Riser CR0010	5-6-19	DATE:	5-6-19		
C	Rev C Update	4-27-20	SCALE:	NONE		
			DRAWN BY:	JM		

219xxxx GO#	Sheet: CR0010
-----------------------	-------------------------