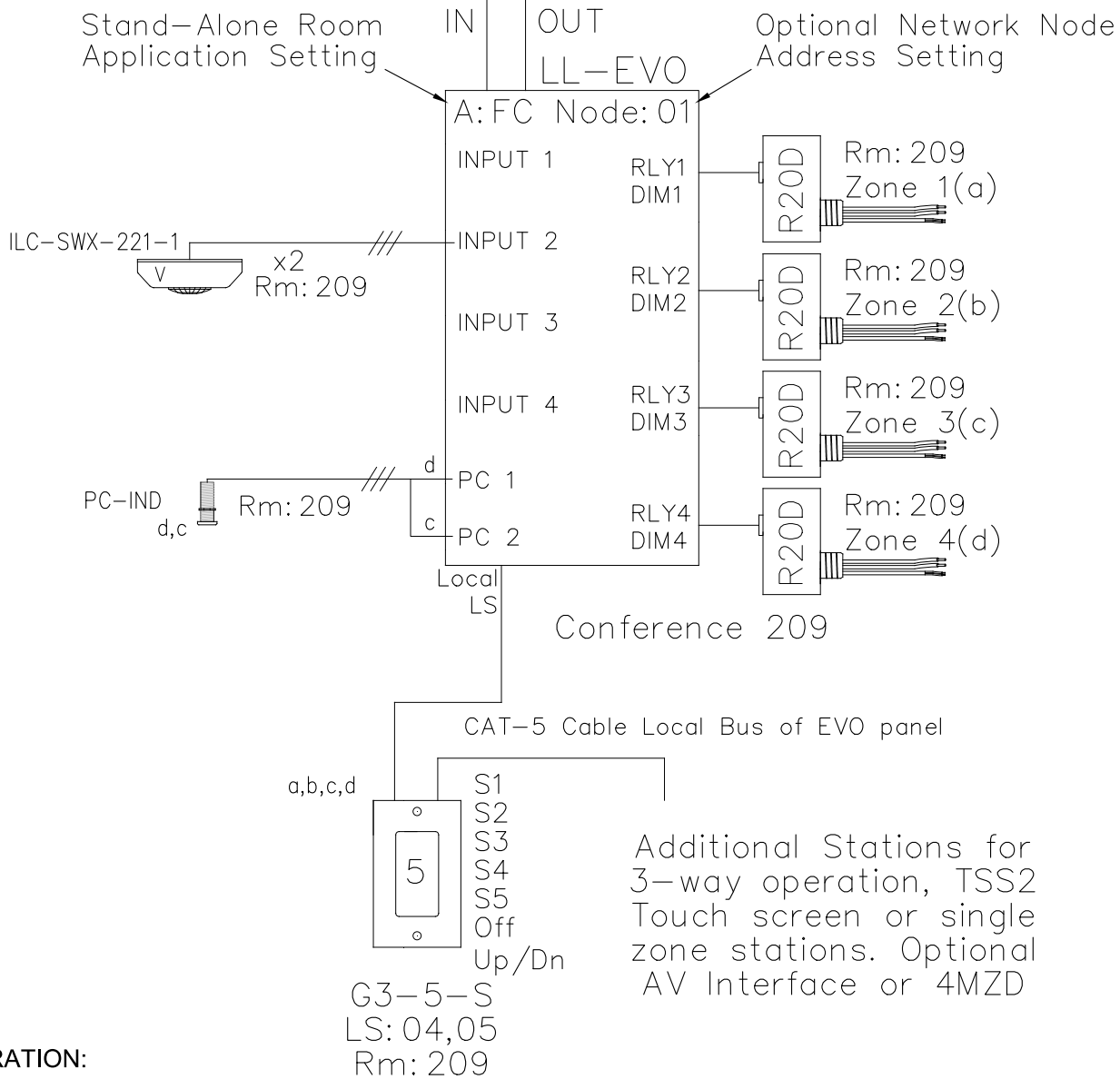


CONFERENCE ROOM ASHRAE DESIGN GUIDE 90.1 - 2013 RISER DIAGRAM

CAT-5 Data Cable For Network System Option



OPERATION:
 Scene Switch with Dimming
 Optional TSS2 station
 Motion sensor set for Vacancy
 Photocell limits max level in daylight zones



5229 Edina Industrial Blvd.
 Minneapolis, MN 55439
 952.829.1900 | ilc-usa.com

XX				Project:
NUMBER	REVISIONS	DATE	SHEET INFORMATION	
A	Code Riser CR0209	5-6-19	DATE:	5-6-19
C	Rev C Update	4-27-20	SCALE:	NONE
			DRAWN BY:	JM

Title:	
CONFERENCE ROOM ASHRAE 90.1 RISER	
GO#	Sheet:
219xxxx	CR0209