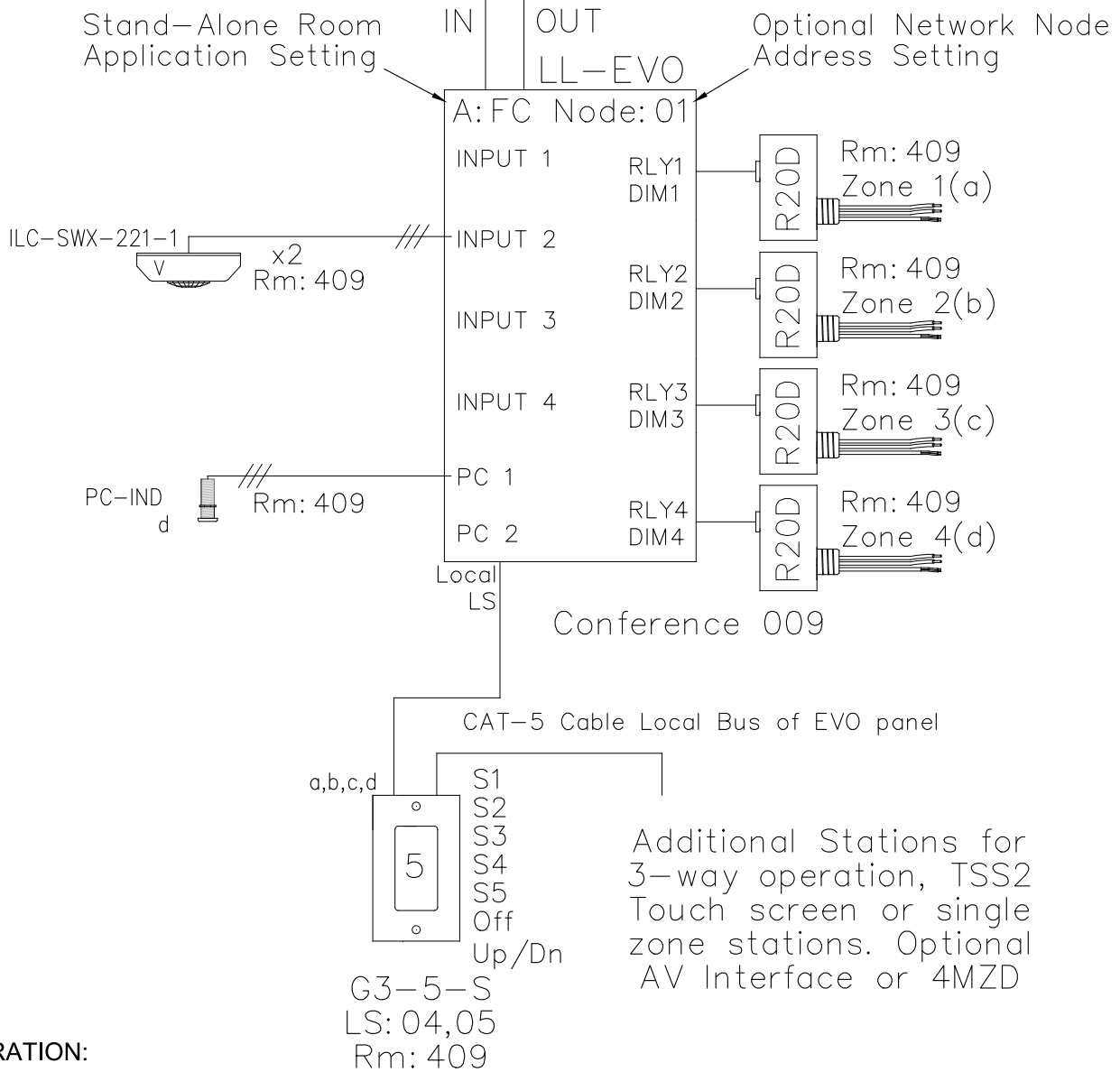


CONFERENCE ROOM IECC 2015 DESIGN GUIDE RISER DIAGRAM

CAT-5 Data Cable For Network System Option



OPERATION:
 Scene Switch with Dimming
 Optional TSS2 station
 Motion sensor set for Vacancy
 Photocell limits max level in daylight zones



5229 Edina Industrial Blvd.
 Minneapolis, MN 55439
 952.829.1900 | ilc-usa.com

XX				Project:	Title: CONFERENCE ROOM IECC 2015 RISER	
NUMBER	REVISIONS	DATE	SHEET INFORMATION			
A	Code Riser CR0409	5-6-19	DATE:	5-6-19		
C	Rev C Update	4-27-20	SCALE:	NONE		
			DRAWN BY:	JM		

GO# 219xxxx	Sheet: CR0409
----------------	------------------