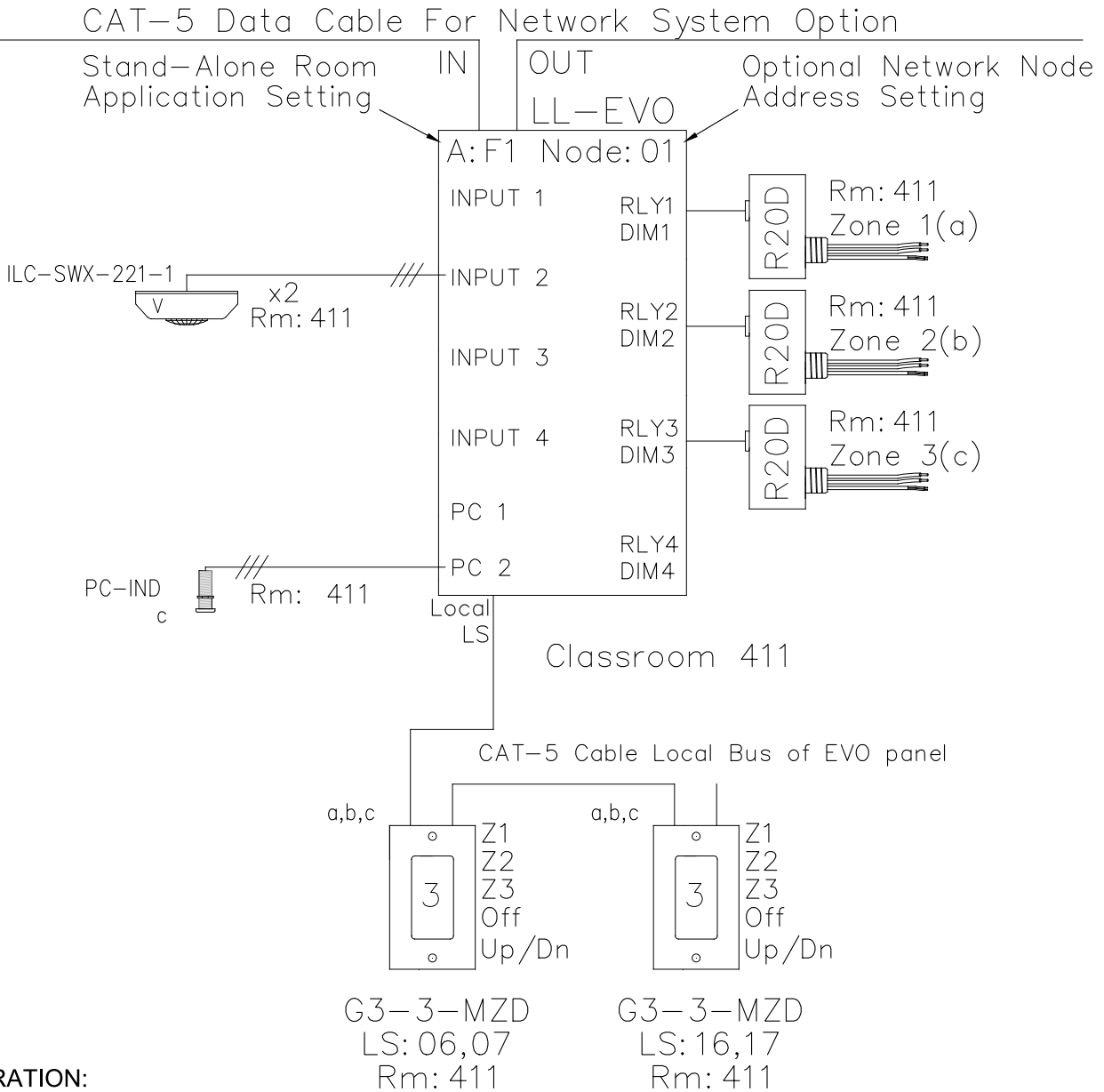


CLASSROOM 0-10V DIMMING IECC 2015 DESIGN GUIDE RISER DIAGRAM



OPERATION:
 Switch ON/OFF and dimming
 Motion sensor set for Vacancy
 Photocell limits max level in daylight zone



5229 Edina Industrial Blvd.
 Minneapolis, MN 55439
 952.829.1900 | ilc-usa.com

XX				Project:	CLASSROOM	Title:
XX				0-10V DIMMING		
XX				IECC 2015 RISER		
NUMBER	REVISIONS	DATE	SHEET INFORMATION			
A	Code Riser CR0411	5-6-19	DATE:	5-6-19		
C	Rev C Update	4-27-20	SCALE:	NONE		
			DRAWN BY:	JM		

219xxxx	Sheet: CR0411
GO#	Sheet: