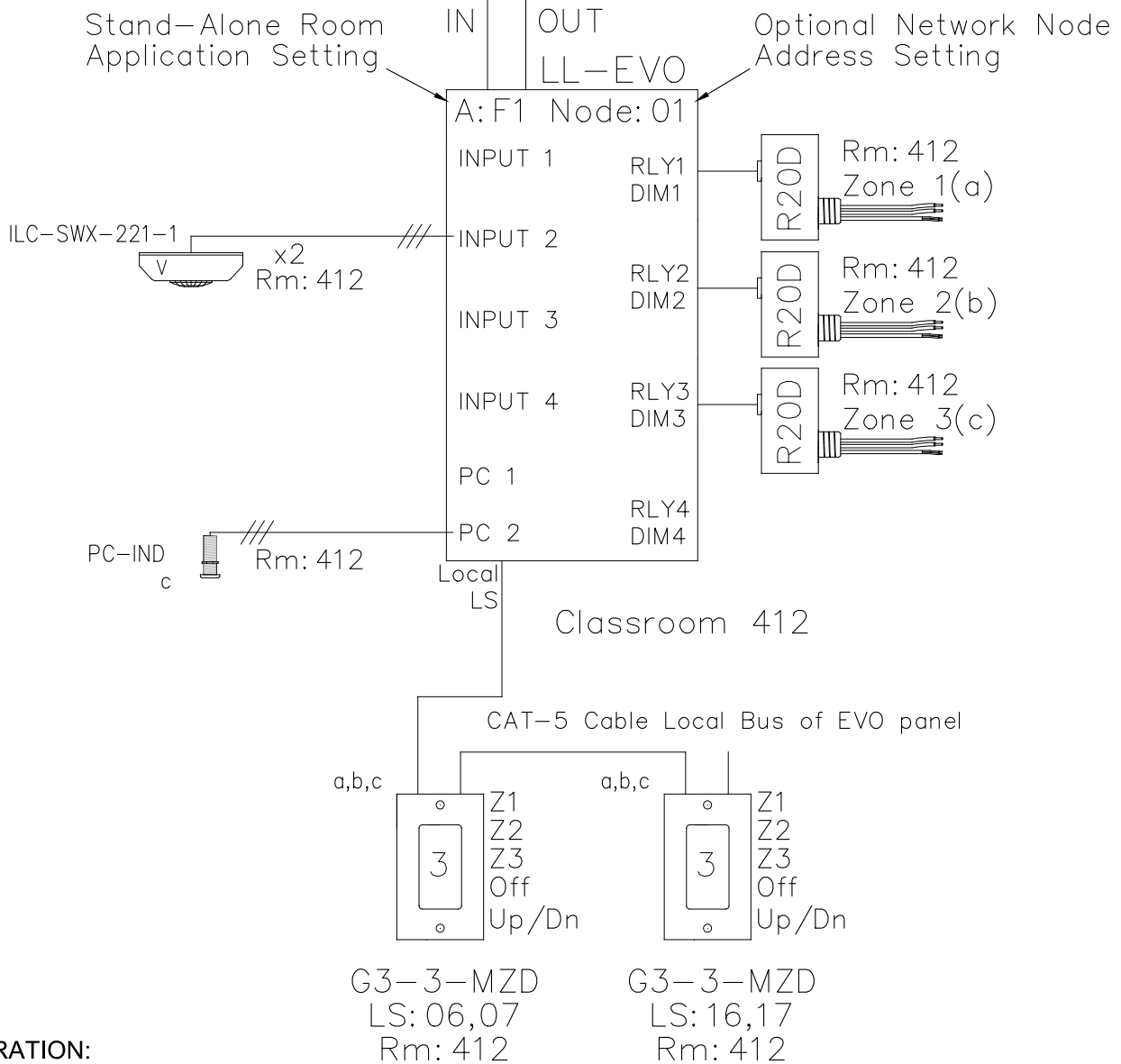


OPEN OFFICE IECC 2015 DESIGN GUIDE RISER DIAGRAM

CAT-5 Data Cable For Network System Option



OPERATION:
 Switch ON/OFF and dimming
 Motion sensor set for Vacancy
 Photocell limits max level in daylight zone



5229 Edina Industrial Blvd.
 Minneapolis, MN 55439
 952.829.1900 | ilc-usa.com

XX				Project:
NUMBER	REVISIONS	DATE	SHEET INFORMATION	
A	Code Riser CR0412	5-6-19	DATE:	5-6-19
C	Rev C Update	4-27-20	SCALE:	NONE
			DRAWN BY:	JM

**OPEN OFFICE
 IECC 2015
 RISER**

Title:

GO#
219xxxx

Sheet:
CR0412