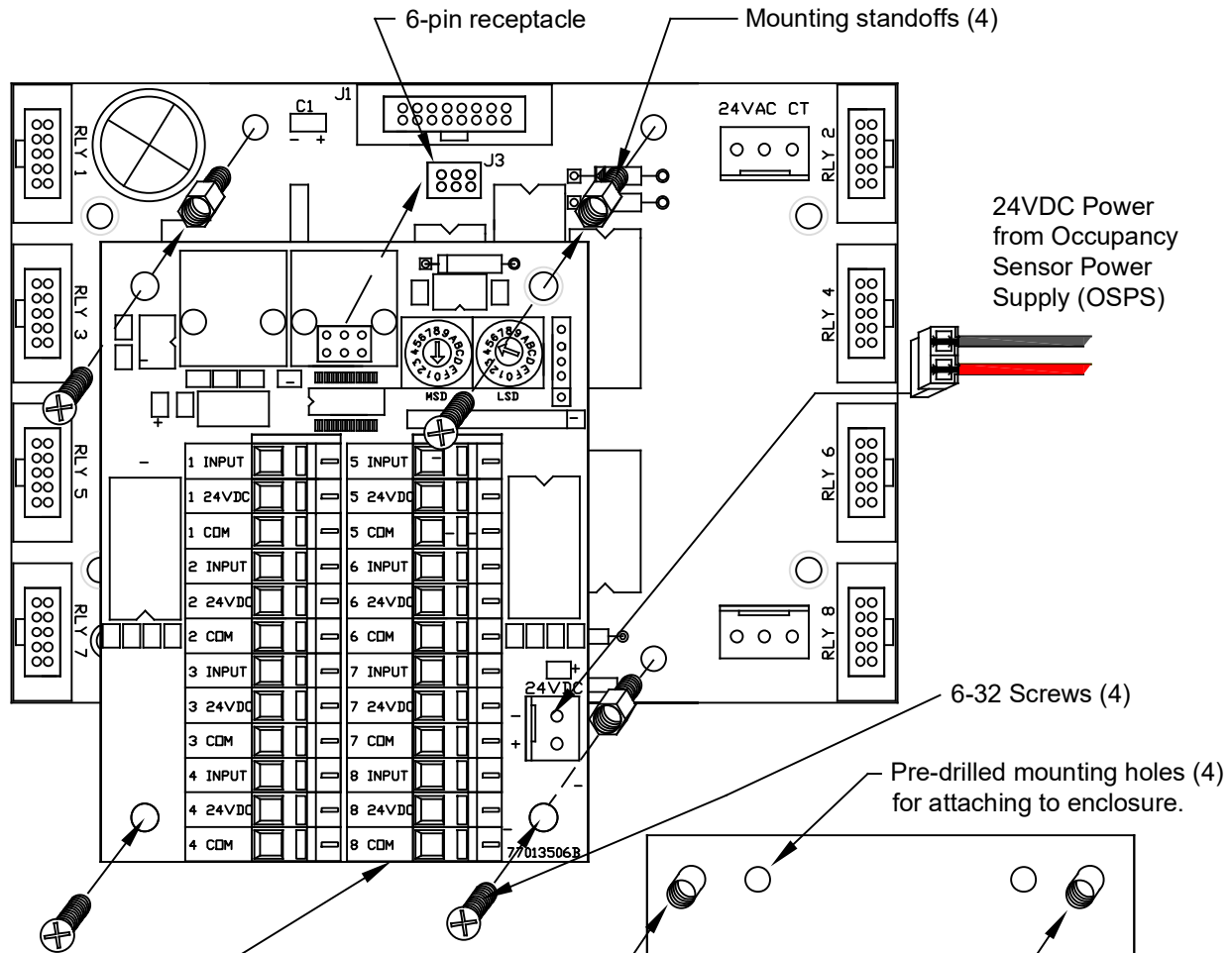


LightSync Occupancy Sensor 8 Input Module Installation Details



PANEL MOUNT:

The module can be mounted directly on the Relay Driver Module in the LightLEEDer panel. The module must be installed on the next available relay control module from the top down. Turn the power to the Controller OFF. Carefully align the 6 header pins on the back of the module with the 6 pin receptacle located on the top of the Relay Driver Module, gently push and verify the connection and install the 6-32 screws provided. Verify the connection and set the address before powering the device.

REMOTE MOUNT:

Remove the module from the mounting plate by removing the 4 #6-32 screws. Fasten the plate in a enclosure using the self-drilling screws provided. Replace the module and secure with the 4 screws previously removed. The optional LightSync Device Junction Box Cover (LSDJBC) can be used for mounting on a 4-11/16" J-box.

