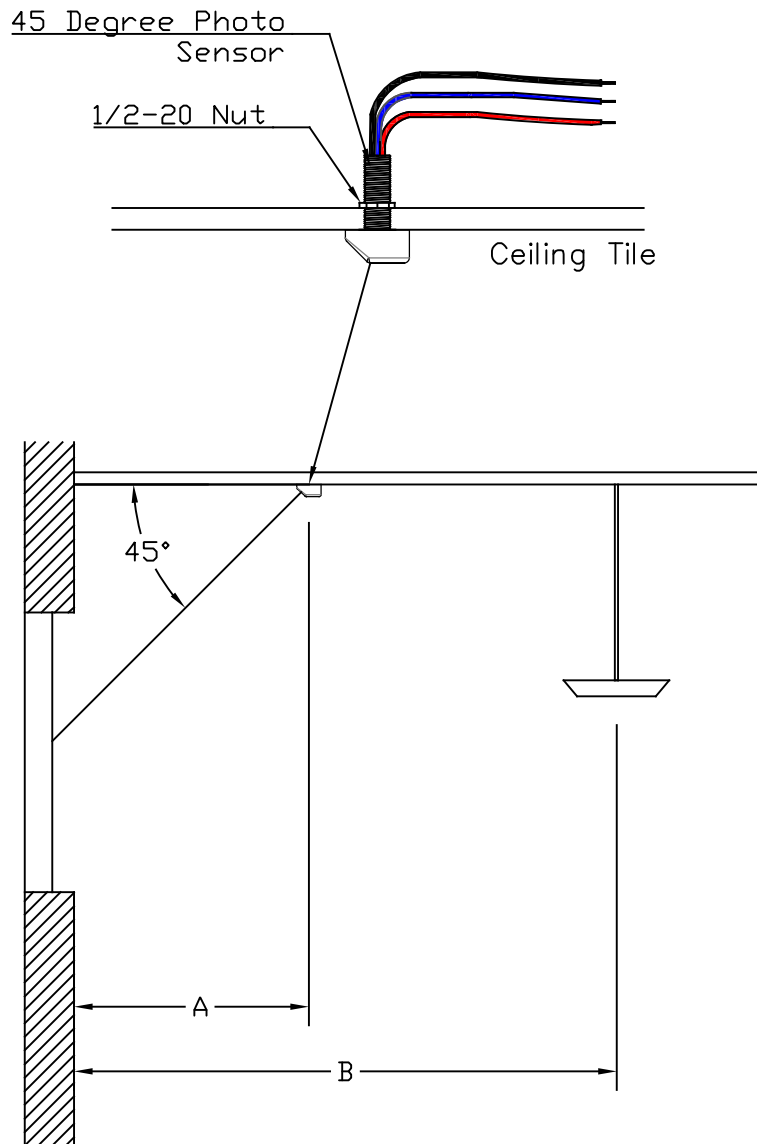


# 45 Degree Photo Sensor Head Installation Details



## 45 Degree Photo Sensor Head Installation

Placement of the 45 degree sensor head must be done so the photo sensor monitors the natural daylight levels and not artificial light levels for an *Open Loop Scenario*. The photo sensor monitors light levels at a 45 degree angle. The head must be mounted away from the window where the peak light level intersects at the photocell eye, but mounted far enough from any artificial light sources that could add to the natural light. The "A" distance must be a minimum of  $1/2 B$  and a maximum of  $1/3 B$  while maintaining the 45 degree angle.