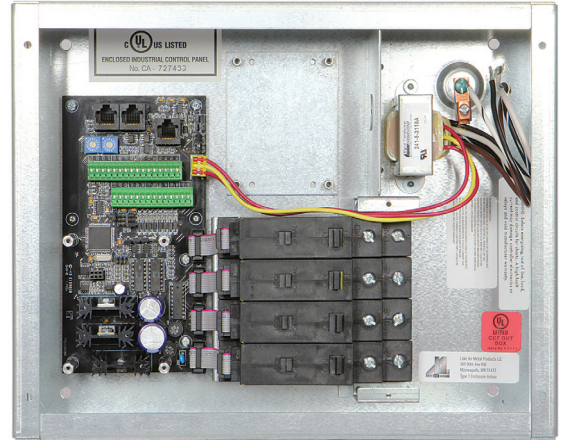


LightLEEDer **4 Load Room Controller**

Overview

The LightLEEDer-4RC Room Lighting Controller is a full featured panel with the common features desired for today's 1 or 2 room control. The LL-4RC is available with 4 or 2 1-pole relays. It has been designed to be used as a stand-alone panel or can be used as an expansion or remote panel from a standard LightLEEDer or EVO panels local port. As with all of our LightLEEDer panels, it comes with our Reliant40 latching relays which feature a four contact design - the first true 40Amp lighting relay. It also has integrated electronics for four dimming outputs for controlling 0-10V dimming ballasts, two inputs for photocell heads, four hardwired inputs, power for occupancy sensors, and a local LightSync port for up to two 6-button data line switches.



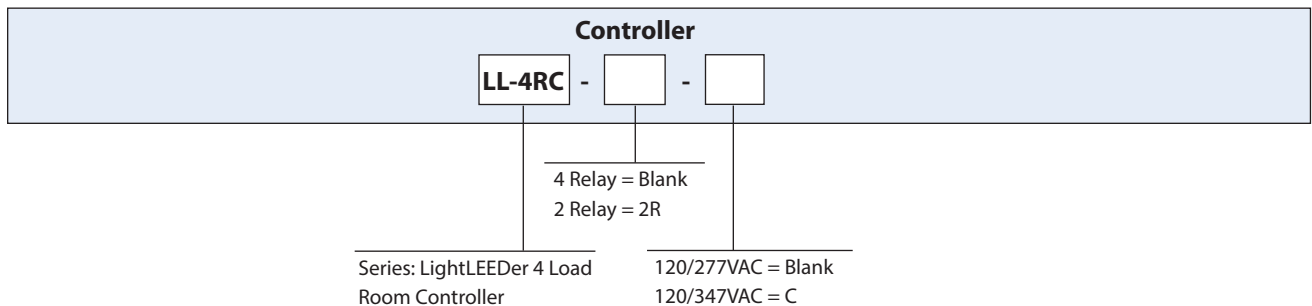
Features

- **Made in the USA**
- **Automatic** receptacle plug load and lighting circuit control
- **4 or 2 load** Programmable Room Lighting Controller
- **Relays** are the superior Reliant40 design
- **Standalone** or networked from a LightLEEDer controller
- **Expansion** provided from a LightLEEDer's local port
- **Compatible** with LightLEEDer and LL-EVO panels
- **Dimming** 0-10V outputs integrated for controlling 4 zones
- **4 Inputs** for hardwired switches or occupancy sensors
- **Power** for occupancy sensors
- **Photocell** controller integrated for 2 heads
- **LightSync** data line device ready utilizing RJ45 connectors and standard CAT-5 cabling for data line

Warranty

Six-year limited warranty

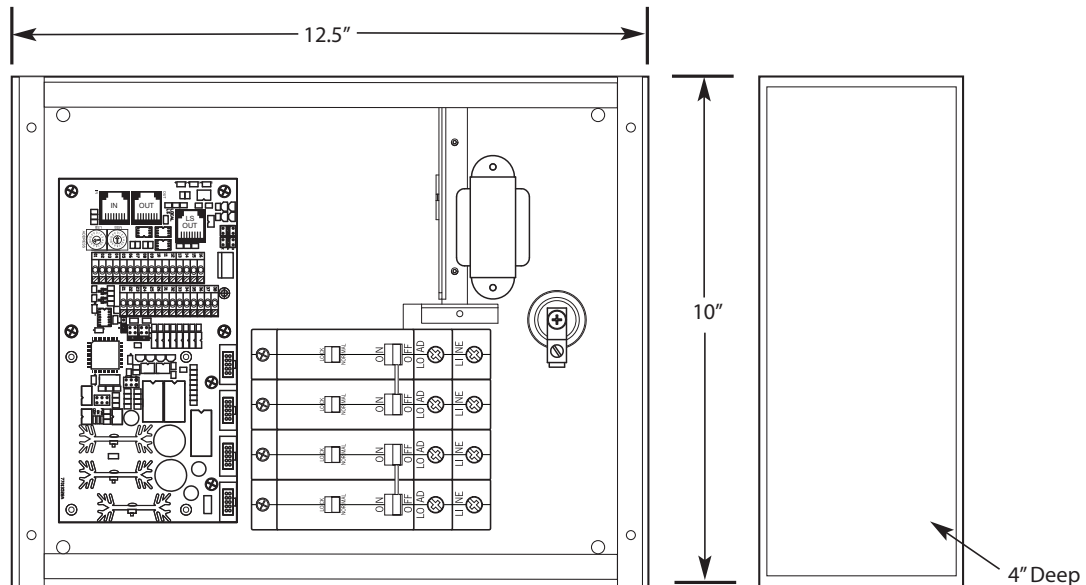
Ordering



LightLEEDer

4 Load Room Controller

Physical



Specifications

Physical:

- Enclosure: 12.5" x 10" x 4" NEMA 1
- Screw cover provided
- Galvanized enclosure and cover
- Provided with pre-drilled mounting holes
- High voltage barriers separate Class 2 wiring
- Ground lug included
- Knockout provided for larger power transformer
- Clearly marked connections

Electrical:

- 120/277VAC @.5 amps (120/347VAC Optional)

Relays:

- Superior breaker style design
- Switch type override control
- Lockout feature disables control
- 40 Amp relays ballast or resistive loads
- SCCR to 18,000 symmetrical amps
- 1-pole relays only

Operating Environment:

- Location: Interior space
- Operating Temperature: 0° to 50° C
- Humidity: 10% - 90% Non-condensing
- Atmosphere: Non-explosive/corrosive
- Vibration: Stationary

Certifications and Approvals:

- UL and CUL listed
- FCC Part 15
- Title 24
- ASHRAE compliant
- LEED compliant