

LightSync Digital

G2 Multi-Zone Dimmer Switch Station

### Overview

The LightSync Digital G2 Multi-Zone Dimmer Switch Station provides control of up to 4 dimmer zones. It provides on/off control and individual/grouped zone dimming with press and hold control. The G2 switch is available in 1, 2, 3, or 4 zone control configurations. This dimmer switch allows the user to select individual or multiple dimmer zones to be controlled at the same time. Uses standard LightSync device addressing, and ramp up/ramp down control.



Available in White , Ivory and Gray

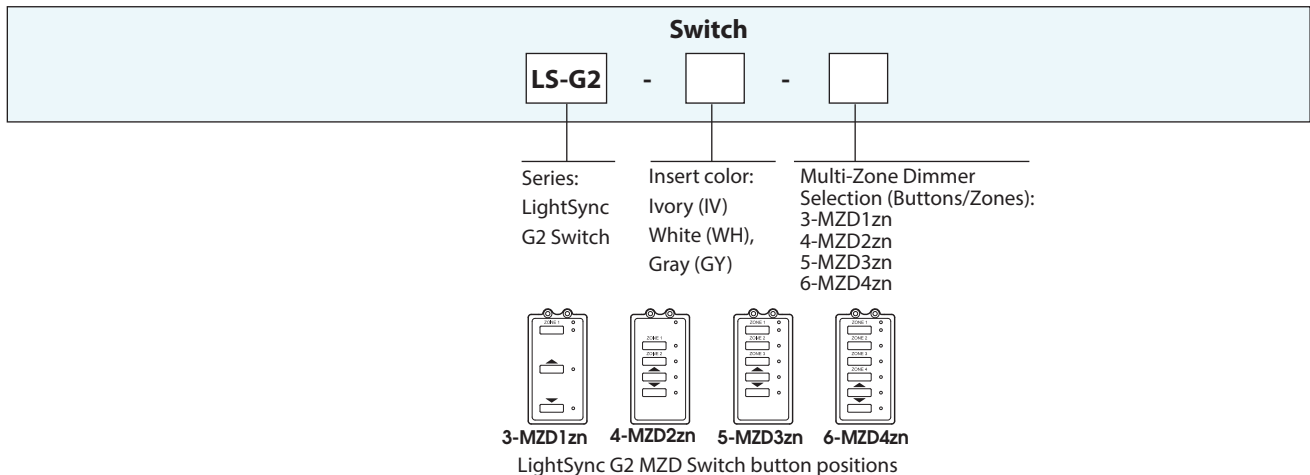
### Features

- **Made in the USA**
- **Digital CAT 5** ready
- **Data Line switch station** for control of any relay, group of relays, or presets
- **Multi-Zone Dimming** for up to 4 zones
- **Zone Buttons for On/Off** control of relay, group, or preset
- **Raise and Lower Buttons** for ramp up and ramp down feature
- **Press and Hold** dimming operation
- **Switch Locator LED** helps find the switch in a dark room
- **Status LED's** indicate the true state of a relay, group or preset
- **Replaceable** faceplates and buttons
- **Laser engraving** is available for switch identification
- **Remote mount** anywhere on the LightSync network
- **Self powered** from the network
- **Addressable** rotary switches
- **Decora®** style single gang switch plate available upon request
- **Available in white, ivory, or gray**

### Warranty

Six year limited warranty

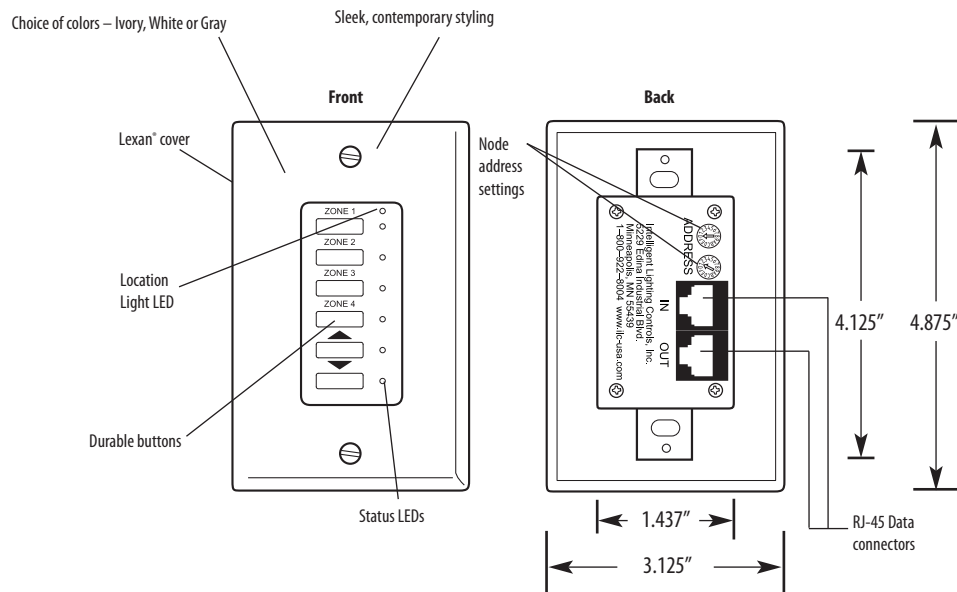
### Ordering



## LightSync Digital

## G2 Multi-Zone Dimmer Switch Station

## Physical



## Specifications

**Physical:**

- Standard single gang mounting
- Digital addressing switches
- RJ45 connectors provided for easy connection
- Mounting screws provided
- Laser engraving up to 10 characters

**Electrical:**

- Powered from the panel or LightSync network

**Operating Environment:**

- Location: Interior space
- Operating Temp.: 0° to 50° C
- Humidity: 10% - 90% Non-condensing
- Atmosphere: Non-explosive/corrosive
- Vibration: Stationary

**Certifications and Approvals:**

- UL CUL
- FCC Part 15