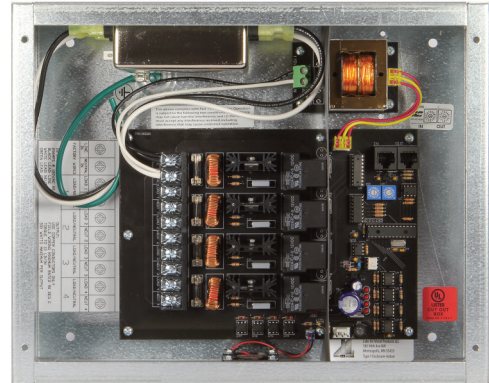


LightSync Digital

Line Voltage Dimmer

Overview

The LightSync Line Voltage Dimmer is controlled in the ILC lighting control system network. It contains 4 independent forward phase control channels capable of up to 500 watts per channel. It is designed to control incandescent, LED, and cold cathode fixtures and dim loads through the full range with smooth transitioning. Being a LightSync digital device, it can be directly controlled anywhere on the network with photo sensors, switches, sliders, timers and more.



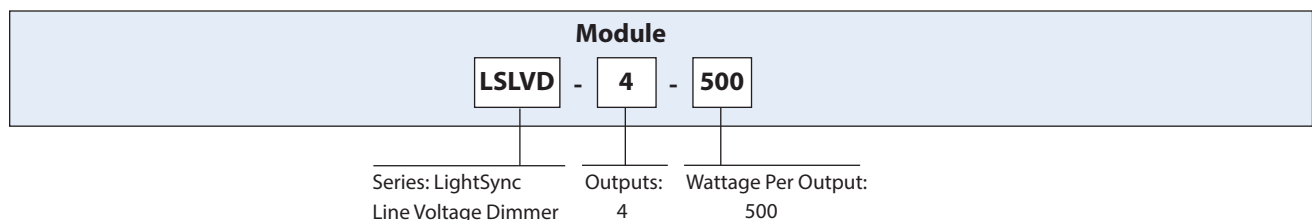
Features

- **Made in the USA**
- **Digital CAT 5** ready
- **4 independent** channels are provided for the flexibility to control up to 4 zones
- **Forward** phase solid state control
- **Relay control** for turning loads On/Off
- **Each output** is capable of controlling up to 500 watts
- **Power-On level settings** allow each output to be configured for 0 to 100% levels after a building power loss
- **LightSync photocell** tracking programmed directly to output channel(s)
- **Each output may be programmed** to respond to 16 LightSync or hardwire inputs. Each input can be programmed to force the output to a preset level, raise or lower at 10% increments and can work in conjunction with a photocell. Inputs can be set to "revert to photocell control" after a period of time that can range from 5 to 600 minutes in 5 minute increments.
- **A fade rate** of 0 to 300 seconds can be programmed for each output
- **Minimum and maximum levels** can be configured for each output
- **With a DMX512 serial interface**, each output can be controlled by any of the 512 signal channels
- **Digitally addressable** device for a unique address

Warranty

Six-year limited warranty

Ordering

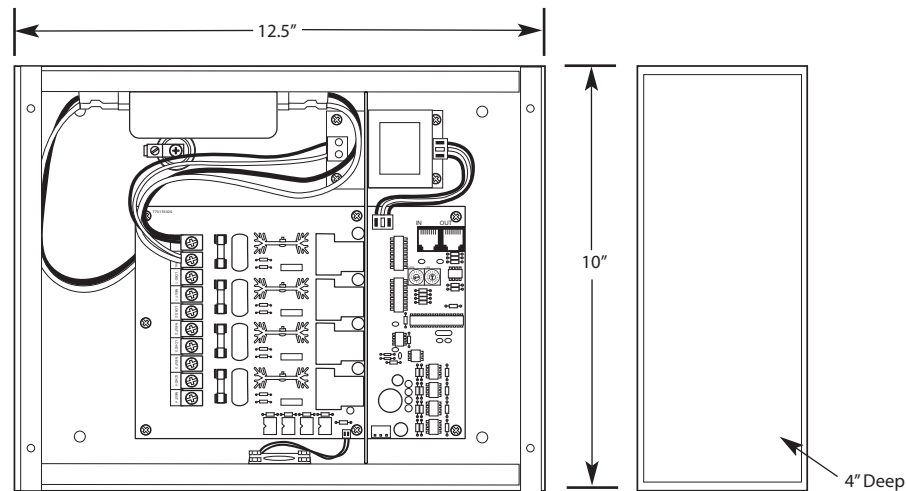


Note: Not compatible with Apprentice Series Panels

LightSync Digital

Line Voltage Dimmer

Physical



Specifications

Physical:

- Galvanized NEMA 1 enclosure
- Screw cover provided
- 12.5" wide X 10" high X 4" deep
- Knockouts provided
- Screw connectors for each output
- Neutral wire terminations included
- Fused outputs
- Digital addressing switches
- RJ45 connectors for data connections

Electrical:

- 120 VAC
- 20 amps
- 4- 500 watt dimming outputs

Configuration:

- Software programming
- Directly through keypad

Operating Environment:

- Location: Interior space
- Operating Temp.: 0° to 40° C
- Humidity: 10% - 90% Non-condensing
- Atmosphere: Non-explosive/corrosive
- Vibration: Stationary

Certifications and Approvals:

- UL916
- FCC Part 15