

LightSync Digital

Photo Sensor Photocell Head

Overview

The LightSync Photocell Head monitors the light levels and transmits the data to the Photo Sensor Controller. The photocell head is available in 3 styles designed for indoor or outdoor light monitoring. The indoor heads include a standard low profile straight head or a 45 degree head designed for natural daylight monitoring. Both heads can be mounted directly in the ceiling tile, sheet rock or lighting fixture. The outdoor head is provided with a watertight housing that mounts directly to an LB fitting or electrical box. It is designed to handle the harsh outdoor conditions, which include rain, snow, and UV rays.



Features

- **Made in the USA**
- **Digital CAT-5 Ready**
- **Light levels** monitored indoors or outdoors to 1800 foot candles
- **Analog** to digital photocell heads
- **Photocell heads** prewired and color-coded for easy installation
- **Available** in 3 photocell head styles
- **Indoor photocells** are low profile and mounts in a ceiling tile, sheet rock, or directly in lighting fixture
- **Outdoor photocell** mounts with a standard ½" conduit thread

Head types:

Indoor: Designed to measure light levels straight in and mounts in a ceiling tile, sheet rock, or directly in a lighting fixture.

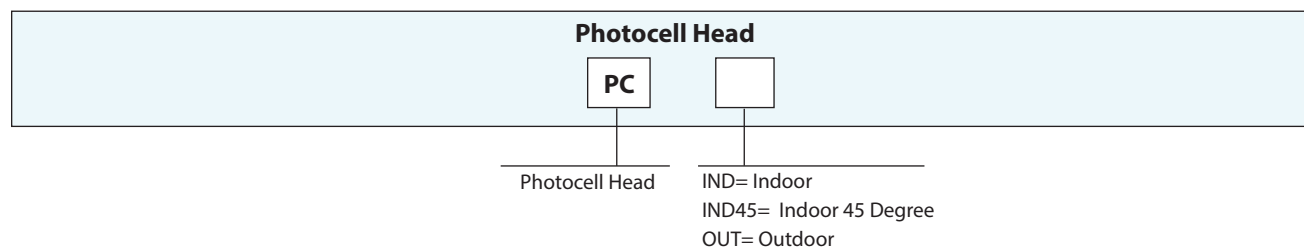
Indoor 45 Degree: Designed to measure daylight levels at a 45 degree angle towards windows and mounts in a ceiling tile, sheet rock, or other surfaces.

Outdoor: Weatherproof, UV resistant designed for outdoor locations. Mounts on a standard ½" LB or junction box. It is provided with an integrated hood.

Warranty

Six-year limited warranty

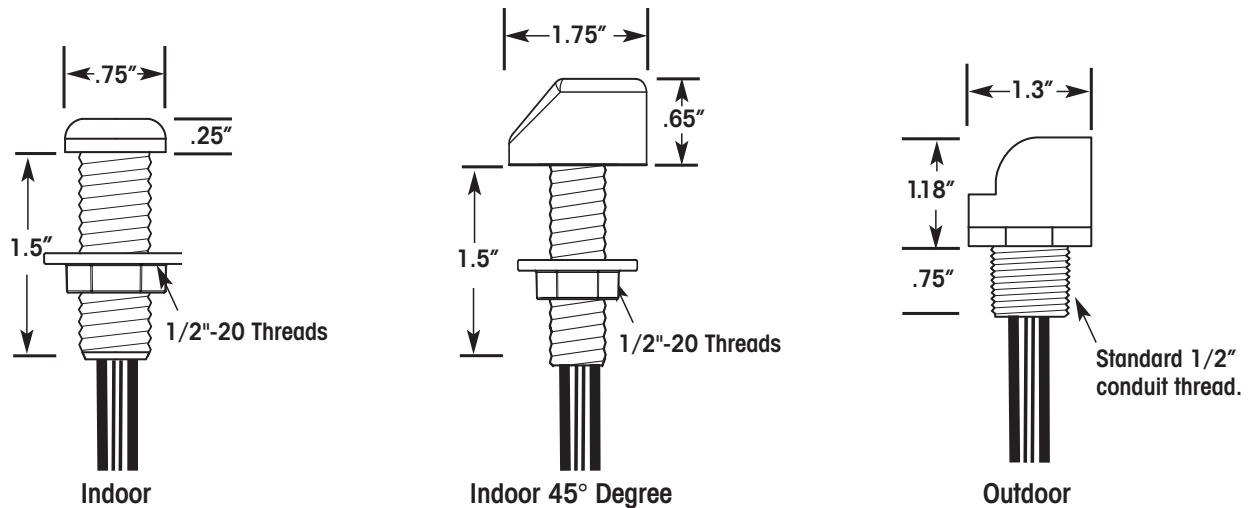
Ordering



LightSync Digital

Photo Sensor Photocell Head

Physical



Specifications

Indoor Photocell Head:

- .75" x .25", 1/2"-20 x 1.5" threaded mount
- White PVC material
- 6" wire leads, 22AWG
- UV resistant

Indoor 45 Degree Photocell Head:

- 1.25" x .65", 1/2"-20 x 1.5" threaded mount
- White PVC material
- 6" wire leads, 22AWG
- UV resistant

Outdoor Photocell Head:

- 1.30" x 1.18, 1/2" conduit thread x .75" mount
- Encased photocell head protects sensor from the elements
- White PVC material
- 6" wire leads, 22AWG
- UV resistant

Electrical:

- Powered from the Photo Sensor Controller

Controller Operating Environment:

- Location:
 - Indoor Head: Interior space
 - Outdoor head: Exterior space
- Operating Temp.: -35° to 50° C
- Humidity: 10% to 100% condensing
- Atmosphere: Non-explosive/corrosive
- Vibration: Stationary

Certifications:

- UL CUL