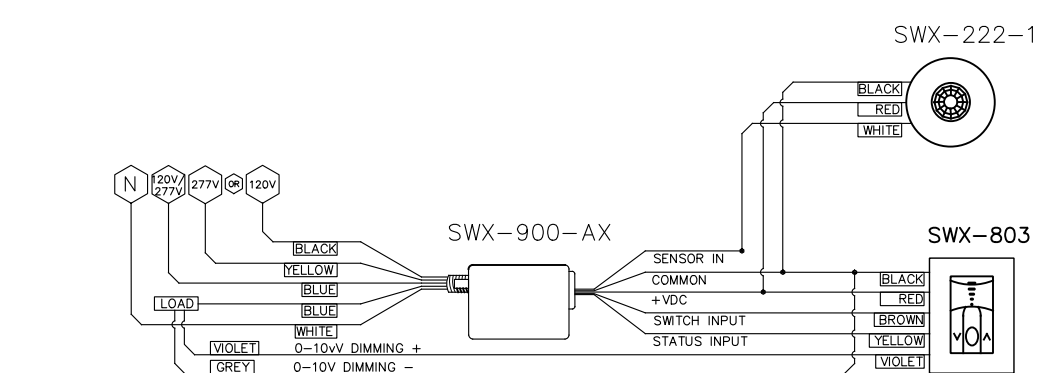
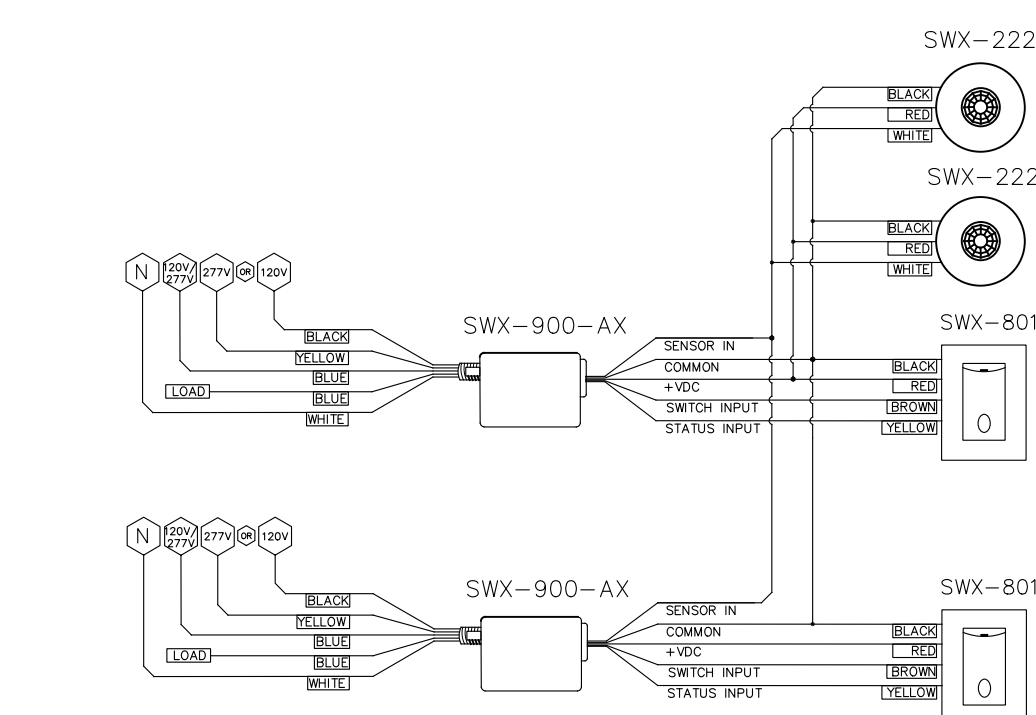


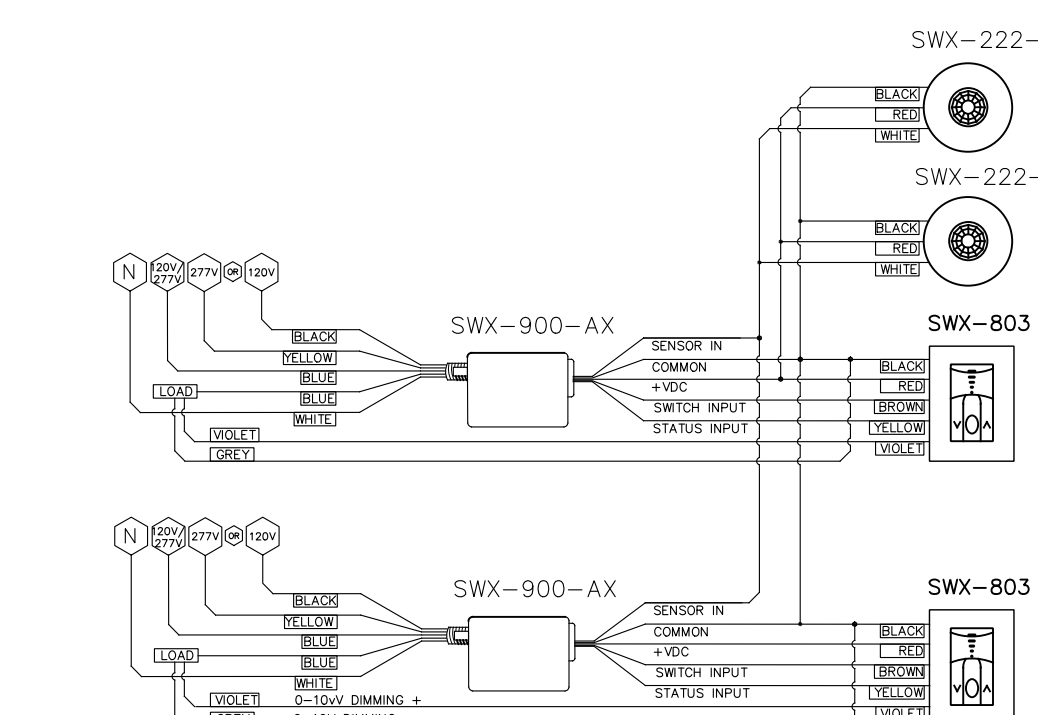
1 TYPICAL MANUAL ON VACANCY CONTROL
SCALE: NTS
STAND ALONE SMALL ROOM CEILING SENSOR



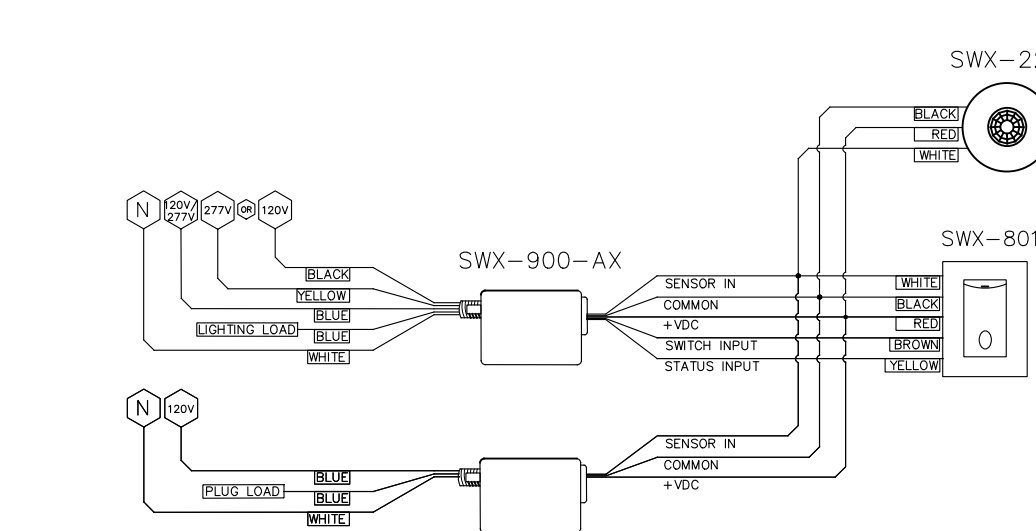
5 TYPICAL MANUAL ON DIMMING VACANCY CONTROL
SCALE: NTS
STAND ALONE SMALL ROOM CEILING SENSOR DIMMING



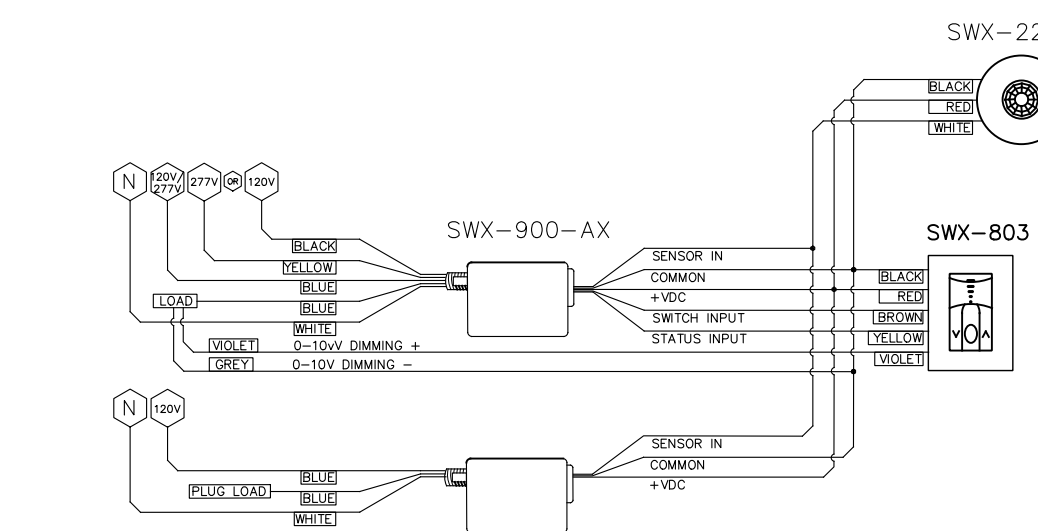
2 TYPICAL MANUAL ON VACANCY 2-LOAD CONTROL
SCALE: NTS
STAND ALONE 2-LOAD MEDIUM ROOM CEILING SENSORS



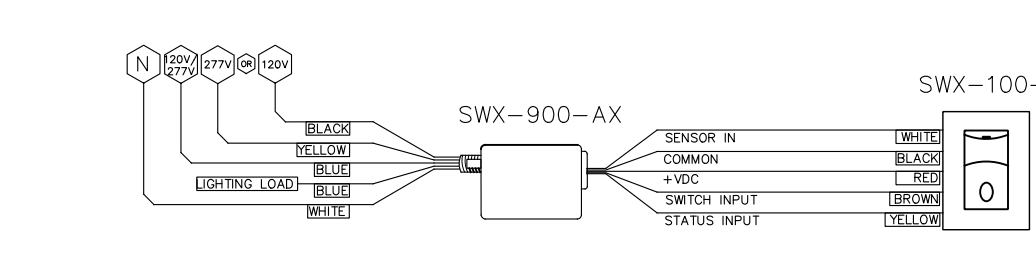
6 TYPICAL MANUAL ON DIMMING VACANCY 2-LOAD CONTROL
SCALE: NTS
STAND ALONE 2-LOAD MEDIUM ROOM CEILING SENSOR DIMMING



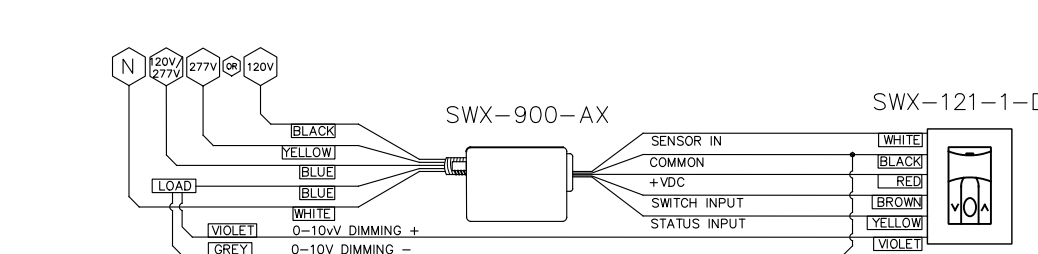
3 TYPICAL MANUAL ON VACANCY PLUG LOAD CONTROL
SCALE: NTS
STAND ALONE SMALL ROOM CEILING SENSOR PLUGLOAD



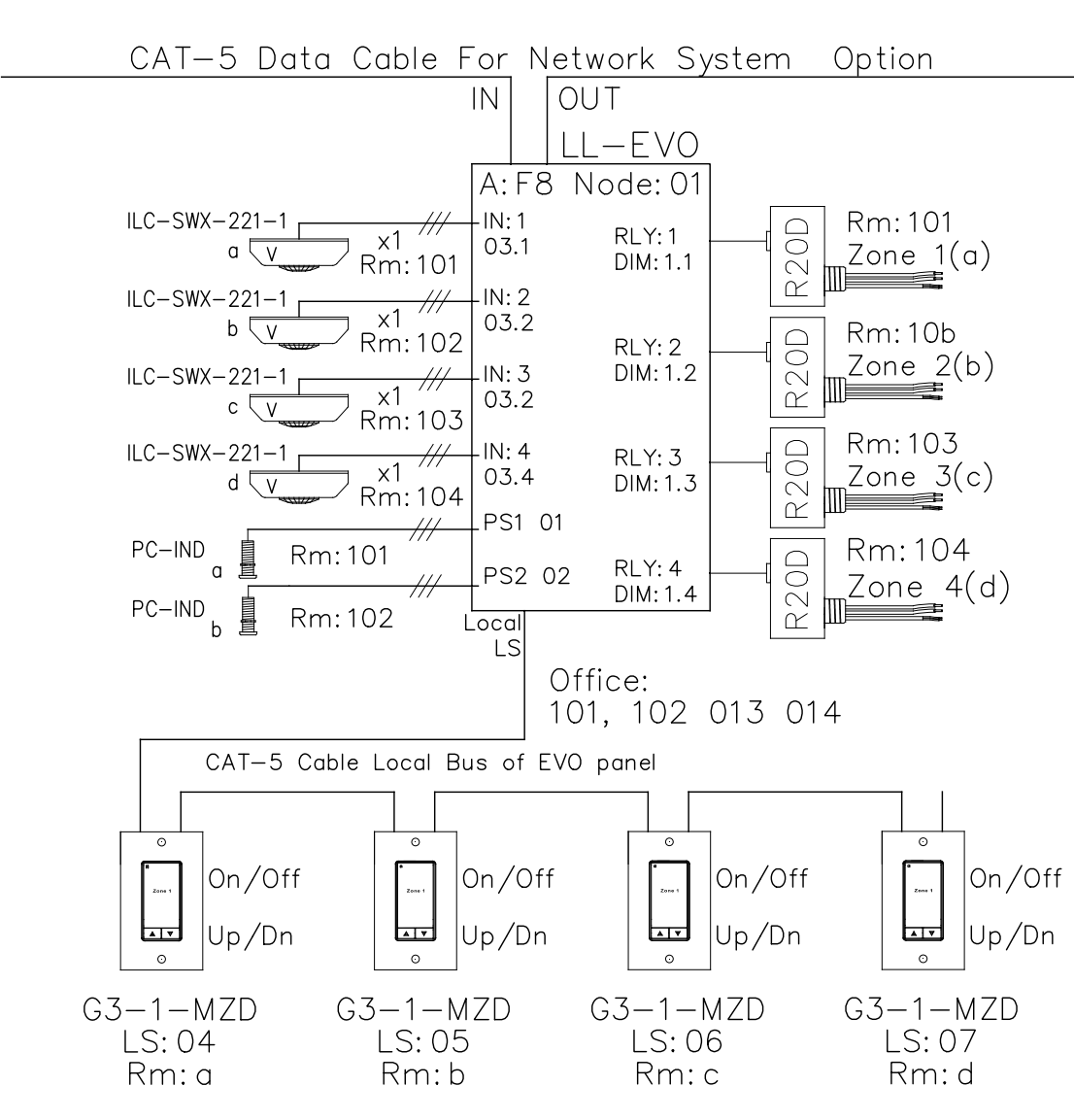
7 TYPICAL MANUAL ON DIMMING VACANCY PLUG LOAD CONTROL
SCALE: NTS
STAND ALONE SMALL ROOM CEILING SENSOR DIMMING PLUGLOAD



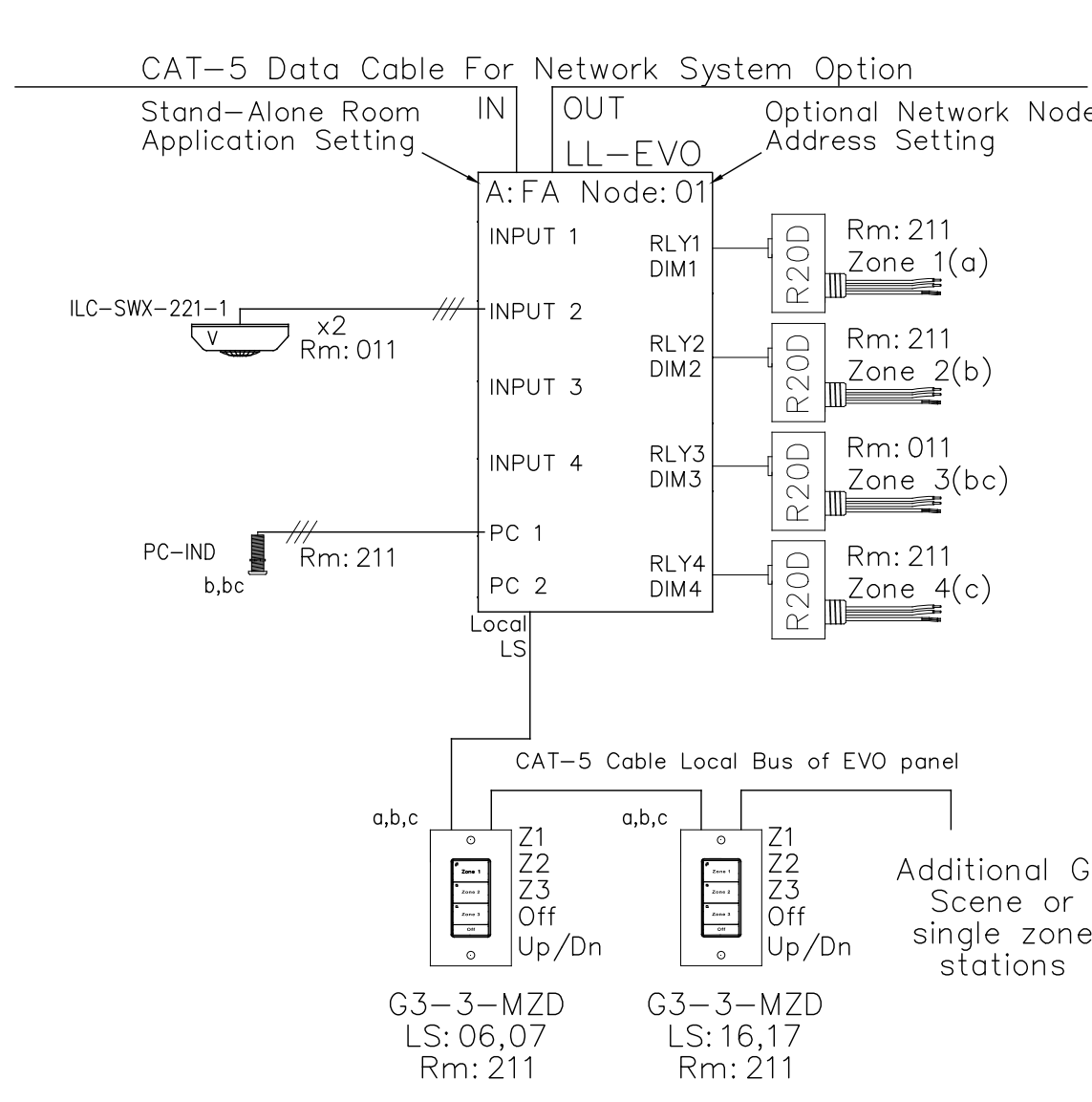
4 TYPICAL WALL SENSOR VACANCY CONTROL
SCALE: NTS
STAND ALONE SMALL ROOM WALL SWITCH SENSOR



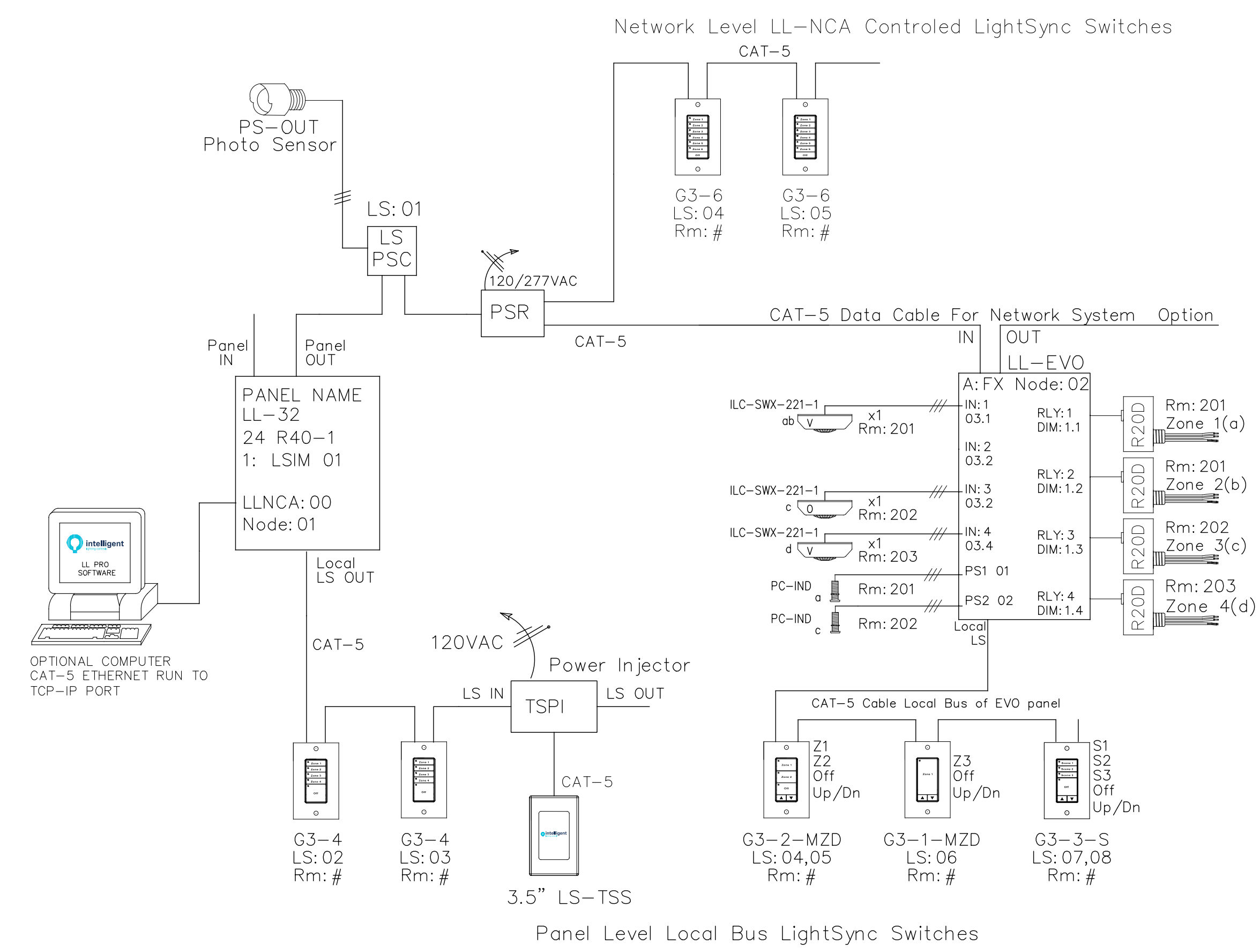
8 TYPICAL MANUAL ON DIMMING VACANCY CONTROL
SCALE: NTS
STAND ALONE SMALL ROOM WALL SWITCH SENSOR DIMMING



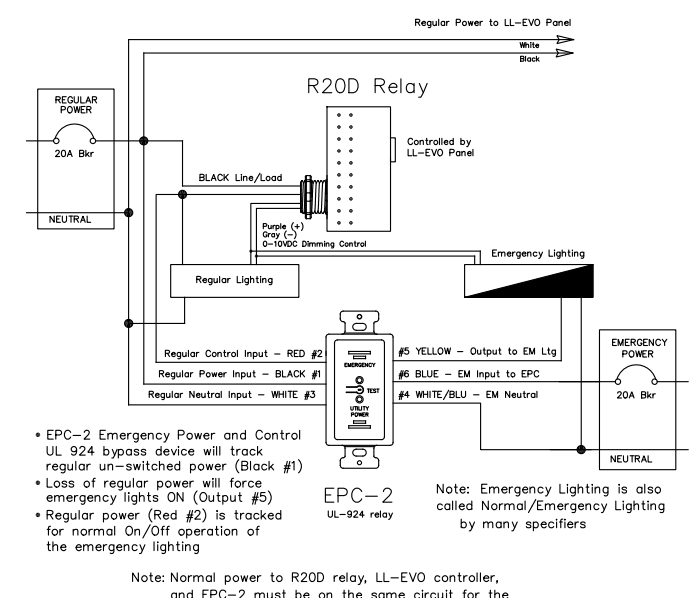
9 TYPICAL MANUAL ON DIMMING VACANCY 4-Room CONTROL
SCALE: NTS
STAND ALONE CONTROLLER OR NETWORKED SYSTEM



10 TYPICAL MANUAL ON DIMMING VACANCY 3-ZONE CLASS ROOM CONTROL
SCALE: NTS
STAND ALONE CONTROLLER OR NETWORKED SYSTEM



12 TYPICAL NETWORK RISER
SCALE: NTS



11 TYPICAL EMERGENCY CONTROL WIRING WITH R200
SCALE: NTS
UL924 OPERATION

#	REVISIONS	DATE
A	Layout Creation	6-30-20

SHEET INFORMATION	
DATE:	XX/XX/2020
SCALE:	NONE
DRAWN BY:	XX

Project:

PROJECT

Title: ILC BOILER PLATE SPECIFICATION WIRING DETAILS

GO# 20XXXXX	Sheet: WD1020
----------------	------------------